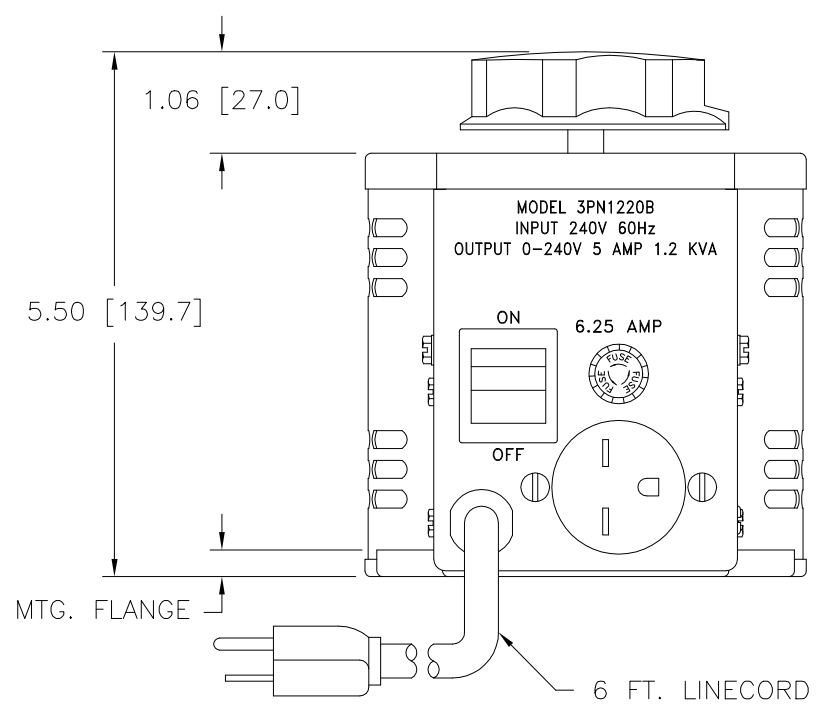
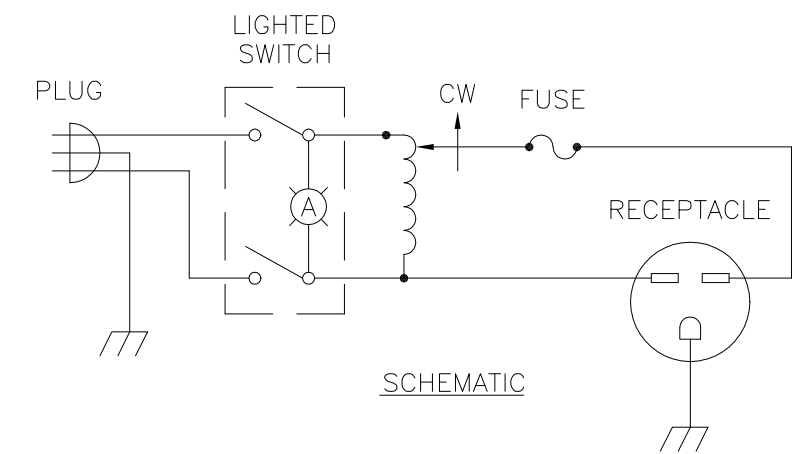
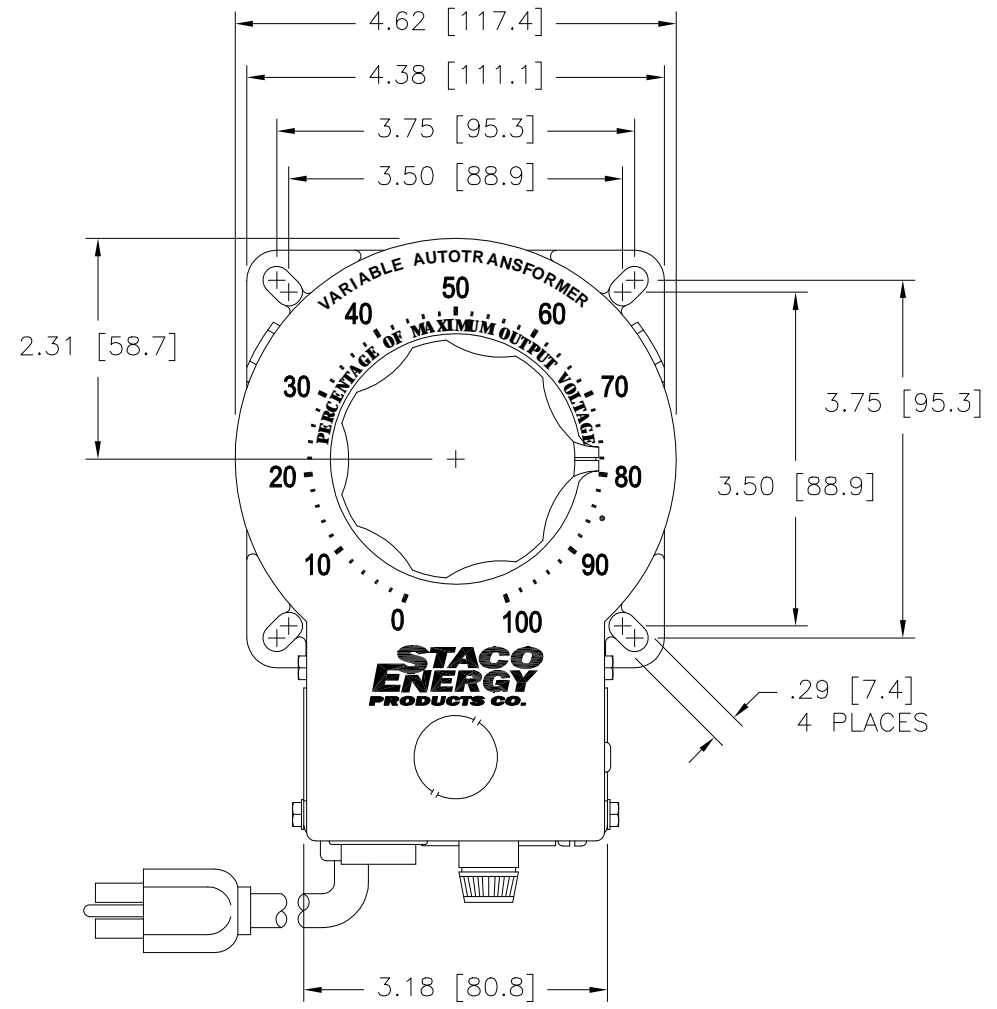
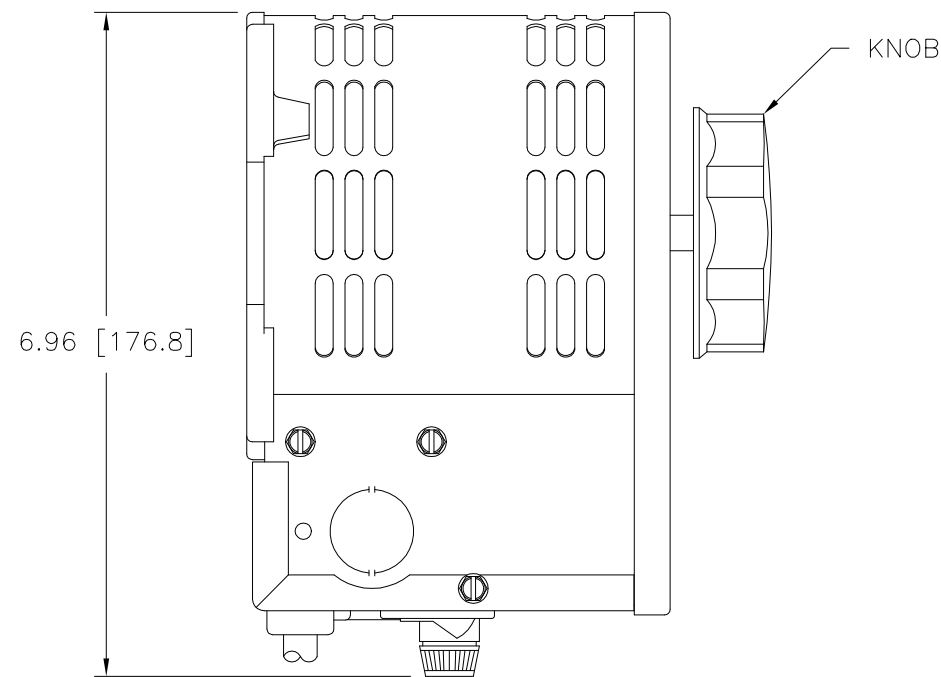


DWG. NO.	031-3295		
REVISIONS			
SYM.	E.C.N.	DATE	APVD.
A	24536	3/13/01	
REVISED SILKSCREEN			



SPECIFICATIONS					
WIRING	INPUT		OUTPUT		
	VOLTS	HERTZ	VOLTS	CONSTANT CURRENT LOAD	
SINGLE PHASE	240	60	0-240	MAX. AMPS	MAX. KVA
				5.0	1.2

UNLESS OTHERWISE SPECIFIED, TOLERANCE IS ±		UNITS		TITLE: SPEC. CONTROL DRAWING	
DECIMALS	Holes	ANGLES	DRAFT	IN	[mm]
.XX	.0000	.01	1°	1-1/2"	
MATERIAL:		ALL DIMENSIONS APPLY AFTER PLATING		DRAWN BY: S.A. SMITH	
The information and design disclosed herein was originated by and is the property of STACO ENERGY PRODUCTS CO., which reserves all patent, proprietary, design, manufacturing, reproduction, use and sale rights thereto, and to any article disclosed therein except to the extent rights are expressly granted to others. The foregoing does not apply to vendor proprietary parts.		DATE: 11/6/96	FIRST USED ON: 3PN1220B	DO NOT SCALE DWG.	
CHECKER:	DATE:	WEIGHT APPROX. 10.25 LBS	CAGE CODE 83008	DWG. NO. 031-3295	
ENGINEER:	DATE:	SCALE 1=1	SHEET 1 of 1		

