


Current Transformer

CT Series

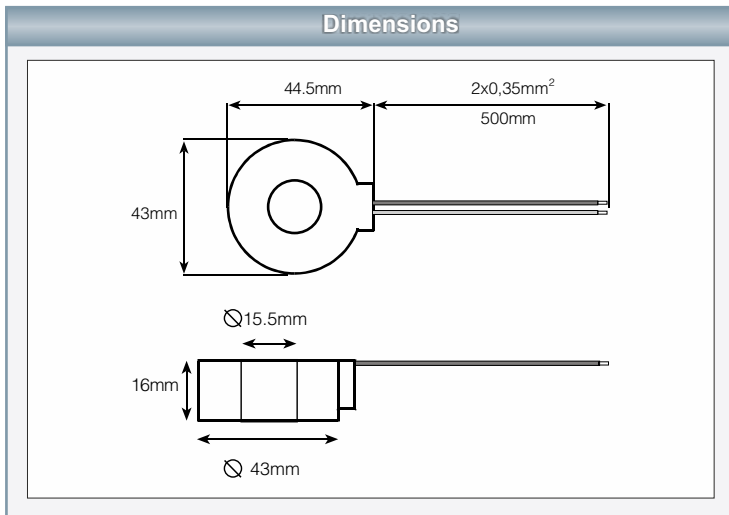


RMS-CT-25
(rail mounting kit)

CT Series Current Transformers provide an economical solution for energy monitoring and electrical measurements with its compact design.

L.V. Current Transformer	Type	Specifications	ENTES Products to be used with*	
			120 A	210 A
 (for ENTES For ENTES Digital Measuring Devices only)	CT-25	Ratio : 1/2500, Class:1 Inner Diameter : 15.5 mm Outer Diameter : 43 mm	MPR-53 MPR-53S EPR-04 EPR-04S EPM-04 EPM-04C EPM-04CS EPM-06 EPM-06C EPM-06CS	EPM-4A EPM-4C EPM-4D EPM-4P
	CT-80D (only suitable for ES-80L)	Ratio : 1/2500, Class:1 Inner Diameter : 19 mm Outer Diameter : 47.5 mm		

*Must be specified with the order.



Power Factor Correction