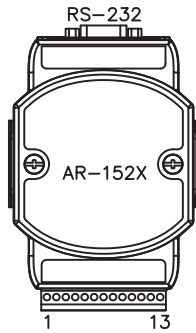


AR-1520 : Isolated RS-232 to RS-485
 AR-1521 : Isolated RS-232 to RS-422 / 485 / 232 Converter



Features

- Auto Tuner baud rate, 300~115200 bps
- 3000 VDC isolation protection
- ESD protection
- Power Inputs +10 ~ +30V DC
- Supports operating temperatures from -20°C ~ +75°C
- DIN-Rail

Pin Assignments

	AR-1520		AR-1521	
	Terminal No.	Pin Assignment	Terminal No.	Pin Assignment
RS-485	1	DATA +	1	DATA +
	2	DATA -	2	DATA -
RS-422 / 485	3		3	TX +
	4		4	TX -
	5		5	RX+ / D2+
	6		6	RX- / D2-
RS-232	7		7	TXD
	8		8	RXD
	9		9	(B)GND
	10		10	(B)GND
	11		11	NC
	12	(R)+VS	12	(R)+VS
	13	(B)GND	13	(B)GND

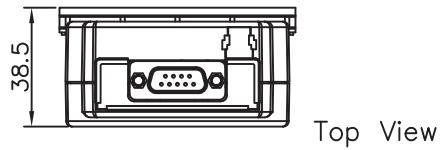
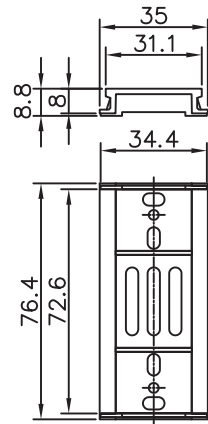
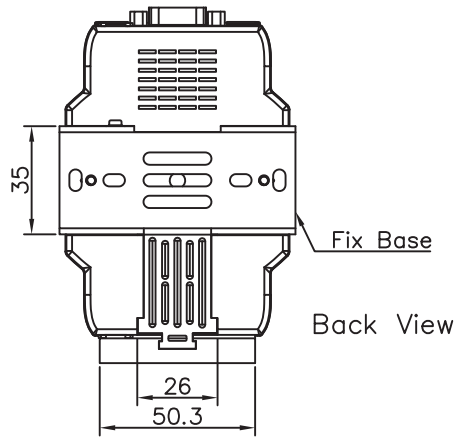
Introduction

Most computer systems with standard RS-232 serial port . RS-232 has limited transmission speed, range, and networking capabilities.It transparently convert RS-232 signal into isolated RS-422 / 485/ 232 signal. You do not need to change your PC's hardware or your software. The AR-1520/ AR-1521 let you easily build an industrial grade, long-distance communication system using standard PC hardware.

Specifications

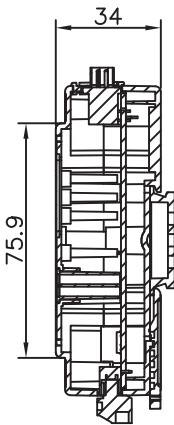
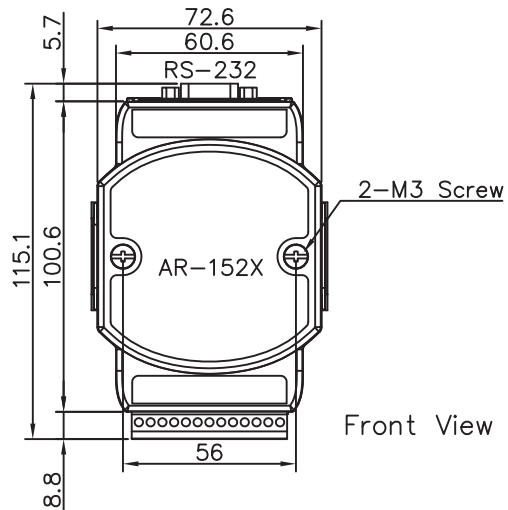
Interface	
AR-1521 Interface	RS-232 : TxD , RxD, GND (DB9)
	RS-422 / 485 (The RS-422 and RS-485 couldn't be used simultaneously)
	RS-485 : Data+, Data-
AR-1520 Interface	RS-232 : TxD , RxD, GND (DB9)
	RS-485 : Data+, Data-
Transfer distance	Max. 1,200 m for speed 9.6 K bps; Max. 400 m for speed 115.2 K bps
Supports Max devices	Maximum of 256 devices (Without repeater).
Auto - Tuner Function	Yes.
Speed	300 ~ 115200 bps
ESD Protection	Yes.
Isolation voltage	3000 VDC
Connection	DB9(Female to RS-232); Removable 13-pin Terminal Block (For RS-422 / 485 / 232)
LED Display	1 LED as Power / Communication Indicator
Power Consumption	+10 ~ +30 VDC
	0.5W@24V
Casing	
Mechanical	Plastic
Flammability	Fire Retardant Materials
Dimensions	115.1 mm x 76.4 mm x 38.5 mm
Installation	DIN-Rail
Environment	
Operating Temperature	-20°C ~ +75°C
Storage Temperature	-25°C ~ +80°C
Ambient Relative Humidity	10% ~ 90% RH, non-condensing

AR 1520 / 1521 Dimension

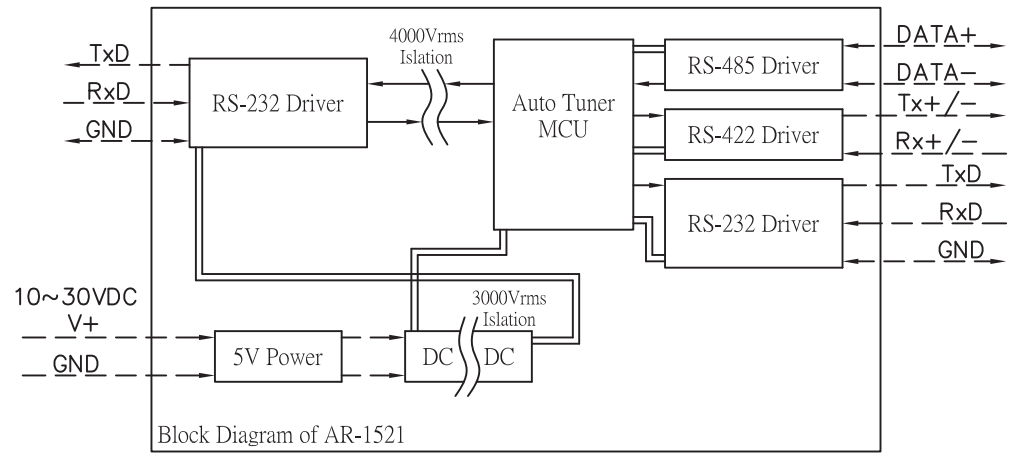
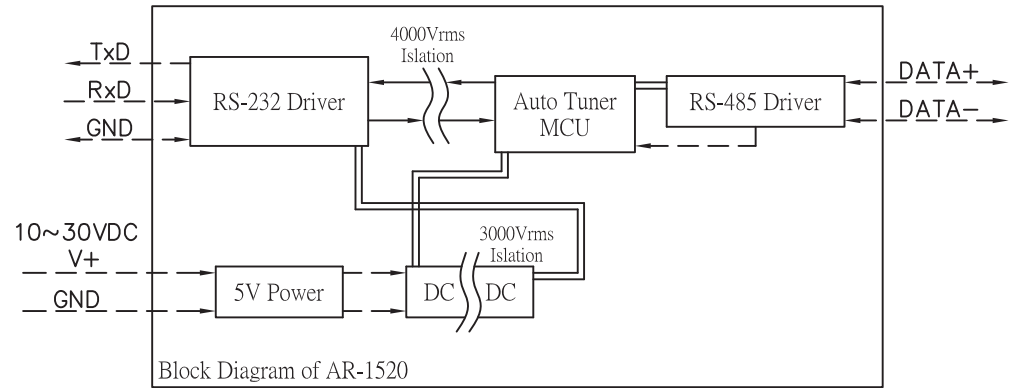


Fix Base

Unit :mm



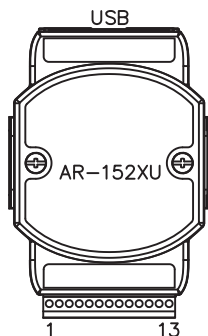
Block Diagram



Ordering Information

- AR-1520 Isolated RS-232 to RS-485 Converter
- AR-1521 Isolated RS-232 to RS-422 / 485 / 232 Converter
- AR-1520U USB to Isolated RS-485 Converter
- AR-1521U USB to Isolated RS-422 / 485 / 232 Converter

AR-1520U : USB to Isolated RS-485
 AR-1521U : USB to Isolated RS-422 / 485 / 232 Converter



Features

- Auto Tuner baud rate, 300~115200 bps
- 3000 VDC isolation protection
- ESD protection
- Fully compliant with USB 1.1 / 2.0(Full Speed)
- No external power supply (Power from the USB bus)
- Driver support Windows 98 / ME / 2000 / XP / Vista (32-bit) / Linux / Window7 / Mac

Pin Assignments

	AR-1520U		AR-1521U	
	Terminal No.	Pin Assignment	Terminal No.	Pin Assignment
RS-485	1	DATA +	1	DATA +
	2	DATA -	2	DATA -
RS-422 / 485	3		3	TX +
	4		4	TX -
	5		5	RX+ / D2+
	6		6	RX- / D2-
RS-232	7		7	TXD
	8		8	RXD
	9		9	(B)GND
	10		10	(B)GND
	11		11	NC
	12		12	NC
	13		13	NC

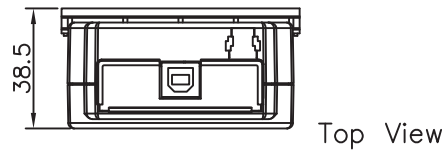
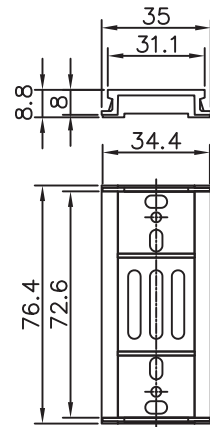
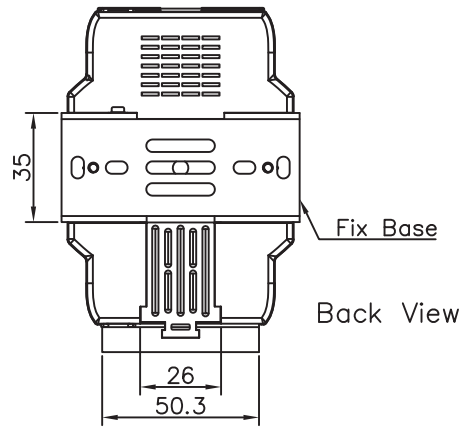
Introduction

The AR-1520U / AR-1521U module for transfer serial data via USB .Connecting the AR-1520U / AR-1521U to PC, you get RS-232 / 422 / 485 port. The AR-1520U / AR-1521U module power from the USB port and doesn't need any power adapter. It also features a high-speed 115.2K bps transmission rate, and supports various O.S. Independent RS-232 / 422 / 485 Port.

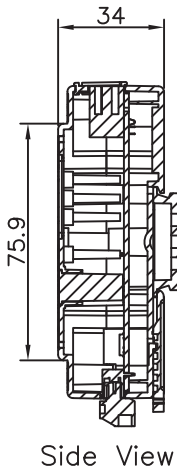
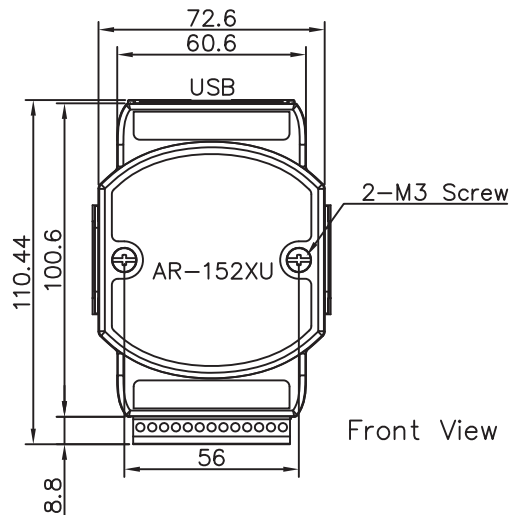
Specifications

Interface	
USB	Compatibility : USB 1.1 and 2.0 standard
AR-1520U / AR-1521U Interface	RS-232 : TxD, RxD, GND
	RS-422 / 485 (The RS-422 and RS-485 couldn't be used simultaneously)
	RS-485 : Data+, Data-
RS-422 / 485 Transfer distance	Max. 1,200 m for speed 9.6 K bps; Max. 400 m for speed 115.2 K bps
RS-485 Supports Max devices	Maximum of 256 devices(Without repeater).
Speed	300 ~ 115200 bps
Auto Tuner Asic inside	Yes.
Connection	Removable 13-pin Terminal Block (For RS-232 / 422 / 485), USB Type B
Include Cable	A / B Type USB Line; L : 1800mm*1
LED Display	1 LED as Power Indicator
Power consumption	+5 VDC From USB
	0.1A @ 5V = 0.5W, + / - 5%
Casing	
Mechanical	Plastic
Flammability	Fire Retardant Materials
Dimensions	110.44 mm x 76.4mm x 38.5mm
Installation	DIN-Rail
Environment	
Operating Temperature	-20°C ~ +75°C
Storage Temperature	-25°C ~ +80°C
Ambient Relative Humidity	10% ~ 90% RH, non-condensing

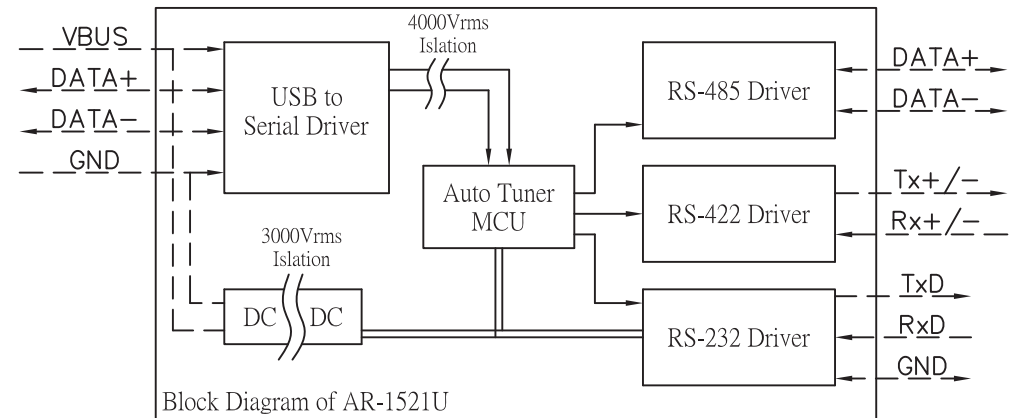
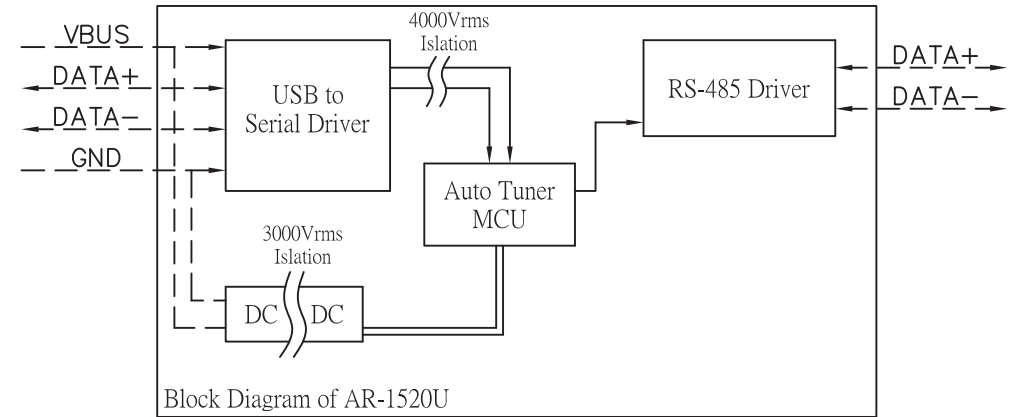
AR 1520U / 1521U Dimension



Unit : mm



Block Diagram



Ordering Information

- AR-1520 Isolated RS-232 to RS-485 Converter
- AR-1521 Isolated RS-232 to RS-422 / 485 / 232 Converter
- AR-1520U USB to Isolated RS-485 Converter
- AR-1521U USB to Isolated RS-422 / 485 / 232 Converter