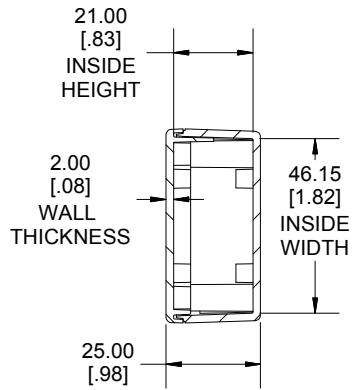
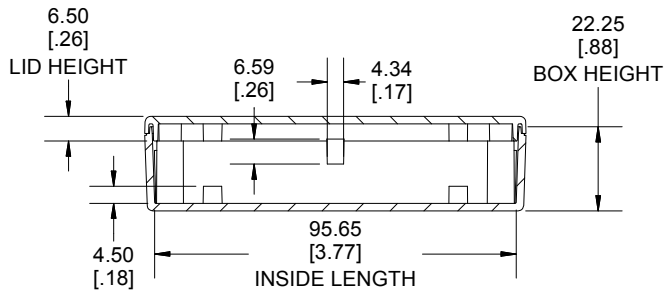


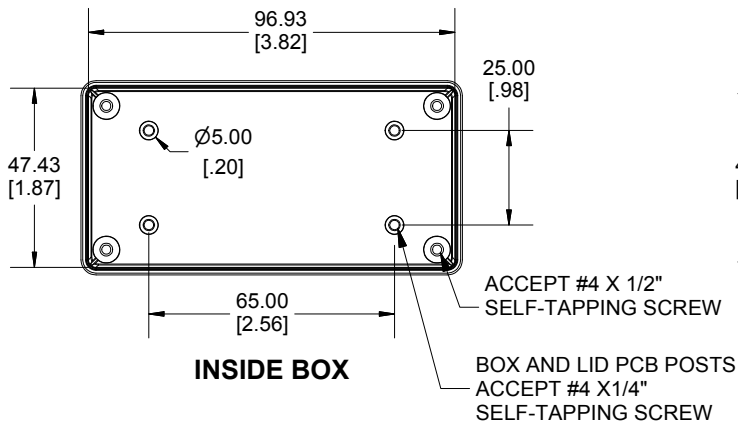
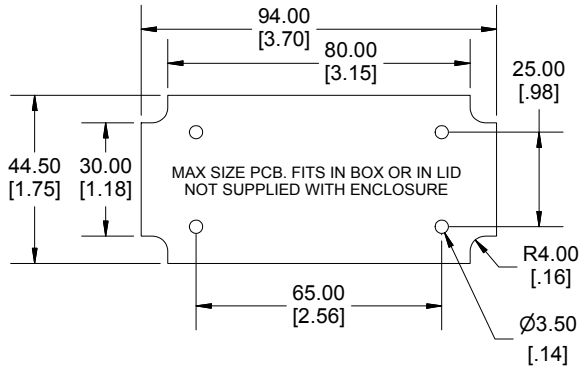
**TOP VIEW**



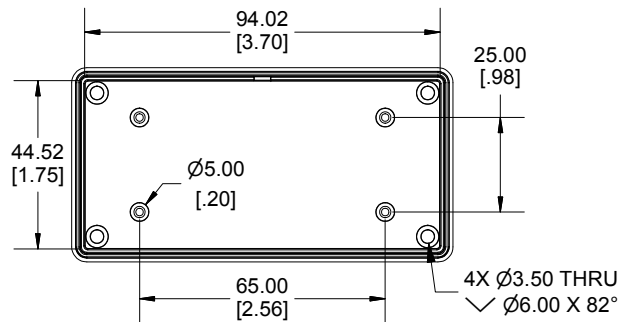
**SECTION B-B  
END VIEW**



**SECTION A-A  
SIDE VIEW**



**INSIDE BOX**



**INSIDE LID**

Enclosures can be Factory Modified ( Milling, Drilling, Printing etc.)  
 Contact Factory [mjm@hammondmfg.com](mailto:mjm@hammondmfg.com) for quotes  
 Solid models of this enclosure available in STEP or IGES.  
 (Part number and text placement/orientation on our products are subject to change,  
 we do not recommend using them as a locating reference for modification purposes)

**NOTE**

Purchased assembly includes box, lid and  
 Enclosure molded from GPABS Plastic.  
 Other materials / colours available consult factory.  
**Recommended Torque : (35-43) Ozf.in / (25-30) cNm**

**PART NUMBERS**

<b>1591XXAS Enclosure</b>	
Black Textured Enclosure	1591XXASBK
<b>ACCESSORIES</b>	
Black Cover Screws #4 X 1/2" Self-tapping	1591TS100BK (Pkg 100)
Plated Cover Screws #4 X 1/2" Self-tapping	1591TS100 (Pkg 100)
P.C. Board Screws	1593ATS50 (Pkg 50)
[#4 x 1/4" self-tapping (6.4mm)]	1593ATS100 (Pkg 100)

**Dimensions:**  
 mm  
 [inches]

**HAMMOND  
 MANUFACTURING®**  
**1591XXAS**  
[www.hammondmfg.com](http://www.hammondmfg.com)