

Linear potentiometers Slim body series

- Measuring range 10 - 400 mm
- Long mechanical life
- Excellent repeatability <0.01 mm
- Infinite resolution

SLPT
Cable type

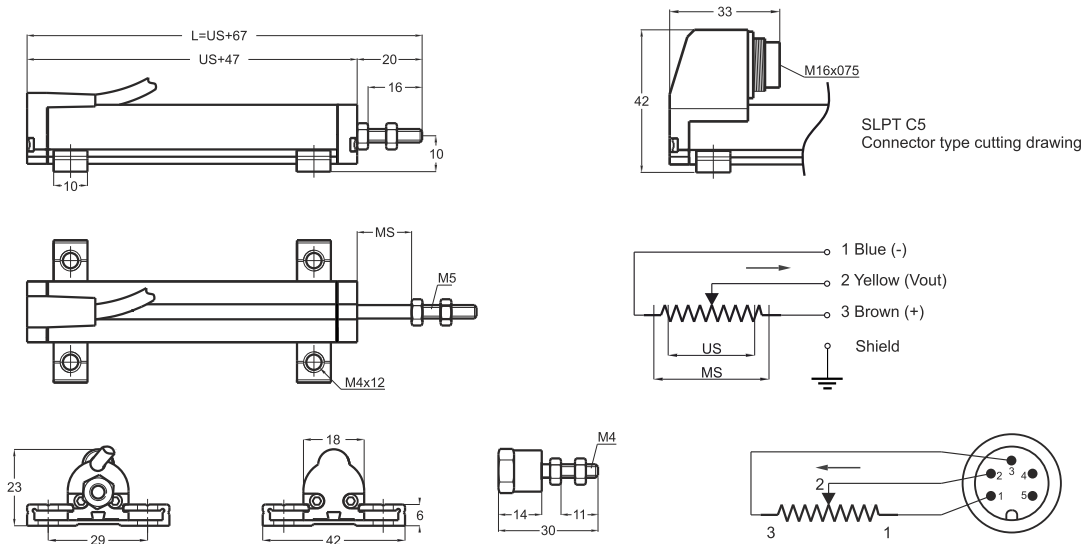


SLPT
Connector type



Technical specifications

Measurement stroke	10 to 400 mm
Linearity	± %0,05
Repeatability	< 0.01 mm
Resolution	Infinite
Resistance	5 KOhm or 10 KOhm (2KOhm for 10-25mm)
Resistance tolerance	± %20
Load resistance	100 KOhm min.
Recommended cursor current	<1 µA
Permissible applied voltage	28 VDC max.
Electrical connections	Cable 1m or Connector
Displacement speed	< 5 m/s
Mechanical life	100 million cycles
Case dimensions	Ø18 mm
Case material	Anodized aluminium
Rod material	Stainless steel
Rod diameter	Ø5 mm
Mechanical fixing	Variable brackets
IP degree	IP 65
Operating temperature	-20°C ... +80°C
Storage temperature	-30°C ... +90°C



SLPT(mm)	10	25	50	75	100	125	150	175	200	250	300	350	400
US (Usefull Stroke)	10	25	50	75	100	125	150	175	200	250	300	350	400
MS (Mechanical Stroke)	13	28	53	78	103	128	153	178	203	253	303	353	403
L (Total Length)	77	92	117	142	167	192	217	242	267	317	367	417	467

Model	Measurement stroke (mm)	Linearity (%)	Resistance (KOhm)	Connector / Cable
(example) SLPT	175	D	5K	1M
SLPT	10 ... 400mm	D : ± %0,05 (standard)	2K : 2 KOhm (10-25mm) 5K : 5 KOhm 10K : 10 KOhm	1M : 1 meter cable 1M5 : 1,5 meter cable 2M : 2 meter cable C5 : Connector