



## **ESM-9430 48 x 96 1/8 DIN Universal Input PID Process Controller**

- 4 digits process (PV) and 4 digits process set (SV) display
- Universal process input (TC, RTD, mA ---, V ---, mA ---)
- Dual or multi point calibration for --- Voltage / Current input
- Configurable ON/OFF, P, PI, PD and PID control forms
- Adaptation of PID coefficients to the system with Auto-tune and Self-tune
- Manual/Automatic mode selection for control outputs
- Bumpless transfer
- Programmable heating, cooling and alarm functions for control outputs

## ABOUT INSTRUCTION MANUAL

Instruction manual of ESM-9430 Process Controller consists of two main sections. Explanation of these sections are below. Also, there are other sections which include order information and technical specifications of the device. All titles and page numbers in instruction manual are in “**CONTENTS**” section. User can reach to any title with section number.

### **Installation:**

In this section, physical dimensions of the device, panel mounting, electrical wiring, physical and electrical installation of the device to the system are explained.

### **Operation and Parameters:**

In this section, user interface of the device, how to access to the parameters, description of parameters are explained.

Also in these sections, there are warnings to prevent serious injury while doing the physical and electrical mounting or using the device.

Explanation of the symbols which are used in these sections are given below.



This symbol is used for safety warnings. User must pay attention to these warnings.



This symbol is used to determine the dangerous situations as a result of an electric shock. User must pay attention to these warnings definitely.



This symbol is used to determine the important notes about functions and usage of the device.

# CONTENTS

<b>1.PREFACE</b> .....	Page	5
1.1 GENERAL SPECIFICATIONS		
1.2 ORDERING INFORMATION		
1.3 WARRANTY		
1.4 MAINTENANCE		
<b>2.INSTALLATION</b> .....	Page	8
2.1 GENERAL DESCRIPTION		
2.2 DIMENSIONS		
2.3 PANEL CUT-OUT		
2.4 ENVIRONMENTAL RATINGS		
2.5 PANEL MOUNTING		
2.6 INSTALLATION MOUNTING CLAMP		
2.7 REMOVING FROM THE PANEL		
<b>3.ELECTRICAL WIRING</b> .....	Page	13
3.1 TERMINAL LAYOUT AND CONNECTION INSTRUCTIONS		
3.2 ELECTRICAL WIRING DIAGRAM		
3.3 VIEW OF THE LABELS		
3.4 CONNECTION OF DEVICE SUPPLY VOLTAGE INPUT		
3.5 PROCESS INPUT CONNECTION		
3.5.1 TC (THERMOCOUPLE) CONNECTION		
3.5.2 RTD CONNECTION		
3.5.3 PROCESS INPUT CONNECTION OF SERIAL TRANSMITTERS WITH CURRENT OUTPUT (LOOP POWERED)		
3.5.4 PROCESS INPUT CONNECTION OF 3-WIRE TRANSMITTERS WITH CURRENT OUTPUT		
3.5.5 CONNECTION OF TRANSMITTERS WITH VOLTAGE OUTPUT TO PROCESS INPUT		
3.6 GALVANIC ISOLATION TEST VALUES OF ESM-9430 PROCESS CONTROLLER		
<b>4.CONNECTION WIRINGS FOR OUTPUTS IN ESM-9430 PROCESS CONTROLLER</b> .....	Page	20
4.1 PROCESS OUTPUT (SSR DRIVER OUTPUT) CONNECTION		
4.2 ALARM OUTPUT -1 RELAY CONNECTION		
4.3 PROCESS OUTPUT OR ALARM OUTPUT -2 RELAY CONNECTION		
<b>5.DEFINITION OF FRONT PANEL AND ACCESSING TO THE PARAMETERS</b> .....	Page	22
5.1 DEFINITION OF FRONT PANEL		
5.2 OBSERVATION OF SOFTWARE REVISION ON THE BOTTOM DISPLAY WHEN POWER IS ON		
5.3 ADJUSTMENT OF PROCESS AND ALARM SET VALUES		
5.4 EASY ACCESS DIAGRAM FOR PROGRAM PARAMETERS		
5.5 ACCESSING TO THE TECHNICIAN MENU		
5.6 CHANGING AND SAVING PARAMETERS		
<b>6.PARAMETERS</b> .....	Page	41
6.1 PROCESS / ALARM SET PARAMETERS		
6.2 TECHNICIAN PARAMETERS		
6.2.1 SELECTION OF PID TUNE AND OPERATION FORM		
6.2.2 FUNCTION SELECTION FOR TOP AND BOTTOM DISPLAY		
6.2.3 PROCESS INPUT TYPE AND RELEVANT PARAMETERS WITH PROCESS INPUT		
6.2.4 PID CONFIGURATION PARAMETERS		
6.2.5 PROCESS OUTPUT CONFIGURATION PARAMETERS		
6.2.6 ALARM OUTPUT - 1 CONFIGURATION PARAMETERS		
6.2.7 ALARM OUTPUT - 2 CONFIGURATION PARAMETERS		
6.2.8 GENERAL PARAMETERS		
6.2.9 TECHNICIAN PASSWORD		
<b>7.FAILURE MESSAGES IN ESM-9430 PROCESS CONTROLLERS</b> .....	Page	64
<b>8.SPECIFICATIONS</b> .....	Page	65
<b>9.OTHER INFORMATION</b> .....	Page	66

## EU DECLARATION OF CONFORMITY

**Manufacturer's Name** : EMKO ELEKTRONIK A.S.  
**Manufacturer's Address** : DOSAB, Karanfil Sk., No:6,  
16369 Bursa, TURKEY

---

The manufacturer hereby declares that the product:

**Product Name** : Process Controller Unit  
**Type Number** : ESM-9430  
**Product Category** : Electrical equipment for measurement, control and laboratory use

**Conforms to the following directives :**

2006 / 95 / EC The Low Voltage Directive

2004 / 108 / EC The Electromagnetic Compatibility Directive

**has been designed and manufactured to the following specifications:**

EN 61000-6-4:2007 EMC Generic Emission Standard for the Industrial Environments

EN 61000-6-2:2005 EMC Generic Immunity Standard for the Industrial Environments

EN 61010-1:2001 Safety Requirements for electrical equipment for measurement, control and laboratory use

---

### **When and Where Issued**

16<sup>th</sup> October 2009

Bursa-TURKEY

### **Authorized Signature**

Name : Serpil YAKIN

Position : Quality Manager

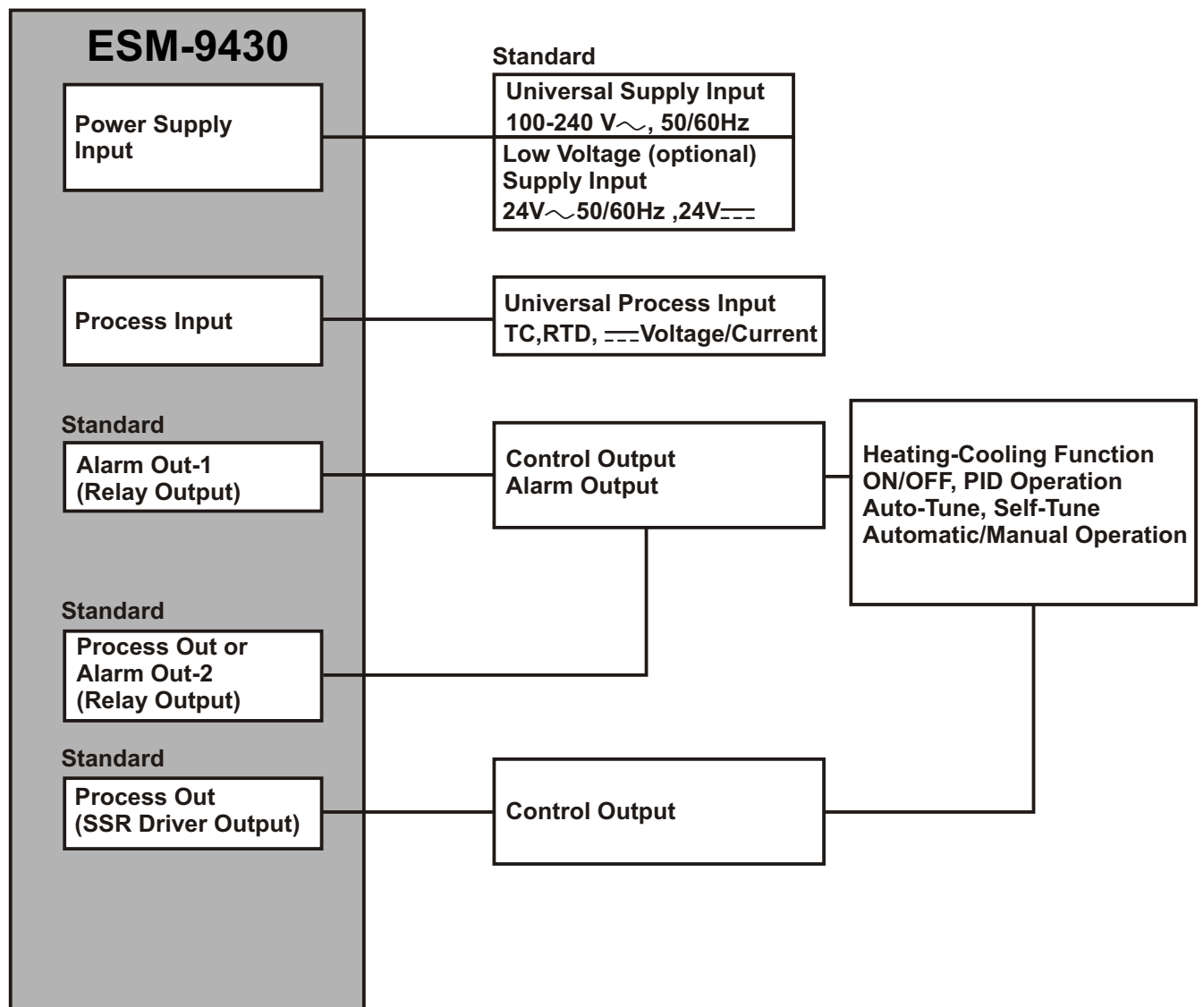
## 1. Preface

ESM series process controllers are designed for measuring and controlling temperature and any process value. They can be used in many applications with their universal process input, control outputs, selectable alarm functions.

Some application fields and an application which they are used are below:

<u>Application Fields</u>	<u>Application</u>
Glass	PID Process Control
Plastic	
Petro-Chemistry	
Textile	
Automotive	
Machine production industries	

## 1.1 General Specifications



## 1.2 Ordering Information

<b>ESM-9430</b> (48x96 1/8 DIN)	A	BC	D	E	/	FG	HI	/	U	V	W	Z
			0	1	/	01	02	/				

A Supply Voltage	
1	100-240V $\sim$ (-15%;+10%) 50/60Hz
2	24 V $\sim$ (-15%;+10%) 50/60Hz 24V $\equiv$ (-15%;+10%)
9	Customer (Maximum 240V $\sim$ (-15%;+10%)) 50/60Hz

BC Input Type	Scale
20 Configurable (Table-1)	Table-1

D Serial Communication	
0	None

E Output-1	
1	Relay Output (5A@250 V $\sim$ at resistive load)

FG Output-2	
01	Relay Output (5A@250 V $\sim$ at resistive load)

HI Output-3	
02	SSR Driver Output ( Maximum 17mA, 25V $\equiv$ )

All order information of ESM-9430 are given on the table at left. User may form appropriate device configuration from information and codes that at the table and convert it to the ordering codes.

Firstly, supply voltage then other specifications must be determined. Please fill the order code blanks according to your needs.

Please contact us, if your needs are out of the standards.



$\sim$

Vac,

$\equiv$

Vdc,

$\sim$

Vdc or Vac can be applied

Table-1

BC Input Type(TC)	Scale( $^{\circ}$ C)	Scale( $^{\circ}$ F)
21	L ,Fe Const DIN43710	-100 $^{\circ}$ C,850 $^{\circ}$ C -148 $^{\circ}$ F,1562 $^{\circ}$ F
22	L ,Fe Const DIN43710	-100.0 $^{\circ}$ C,850.0 $^{\circ}$ C -148.0 $^{\circ}$ F,999.9 $^{\circ}$ F
23	J ,Fe CuNi IEC584.1(ITS90)	-200 $^{\circ}$ C,900 $^{\circ}$ C -328 $^{\circ}$ F,1652 $^{\circ}$ F
24	J ,Fe CuNi IEC584.1(ITS90)	-199.9 $^{\circ}$ C,900.0 $^{\circ}$ C -199.9 $^{\circ}$ F,999.9 $^{\circ}$ F
25	K ,NiCr Ni IEC584.1(ITS90)	-200 $^{\circ}$ C,1300 $^{\circ}$ C -328 $^{\circ}$ F,2372 $^{\circ}$ F
26	K ,NiCr Ni IEC584.1(ITS90)	-199.9 $^{\circ}$ C,999.9 $^{\circ}$ C -199.9 $^{\circ}$ F,999.9 $^{\circ}$ F
27	R ,Pt13%Rh Pt IEC584.1(ITS90)	0 $^{\circ}$ C,1700 $^{\circ}$ C 32 $^{\circ}$ F,3092 $^{\circ}$ F
28	S ,Pt10%Rh Pt IEC584.1(ITS90)	0 $^{\circ}$ C,1700 $^{\circ}$ C 32 $^{\circ}$ F,3092 $^{\circ}$ F
29	T ,Cu CuNi IEC584.1(ITS90)	-200 $^{\circ}$ C,400 $^{\circ}$ C -328 $^{\circ}$ F,752 $^{\circ}$ F
30	T ,Cu CuNi IEC584.1(ITS90)	-199.9 $^{\circ}$ C,400.0 $^{\circ}$ C -199.9 $^{\circ}$ F,752.0 $^{\circ}$ F
31	B ,Pt30%Rh Pt6%Rh IEC584.1(ITS90)	44 $^{\circ}$ C,1800 $^{\circ}$ C 111 $^{\circ}$ F,3272 $^{\circ}$ F
32	B ,Pt30%Rh Pt6%Rh IEC584.1(ITS90)	44.0 $^{\circ}$ C,999.9 $^{\circ}$ C 111.0 $^{\circ}$ F,999.9 $^{\circ}$ F
33	E ,NiCr CuNi IEC584.1(ITS90)	-150 $^{\circ}$ C,700 $^{\circ}$ C -238 $^{\circ}$ F,1292 $^{\circ}$ F
34	E ,NiCr CuNi IEC584.1(ITS90)	-150.0 $^{\circ}$ C,700.0 $^{\circ}$ C -199.9 $^{\circ}$ F,999.9 $^{\circ}$ F
35	N ,Nicrosil Nisil IEC584.1(ITS90)	-200 $^{\circ}$ C,1300 $^{\circ}$ C -328 $^{\circ}$ F,2372 $^{\circ}$ F
36	N ,Nicrosil Nisil IEC584.1(ITS90)	-199.9 $^{\circ}$ C,999.9 $^{\circ}$ C -199.9 $^{\circ}$ F,999.9 $^{\circ}$ F
37	C , (ITS90)	0 $^{\circ}$ C,2300 $^{\circ}$ C 32 $^{\circ}$ F,3261 $^{\circ}$ F
38	C , (ITS90)	0.0 $^{\circ}$ C,999.9 $^{\circ}$ C 32.0 $^{\circ}$ F,999.9 $^{\circ}$ F

BC Input Type(RTD)	Scale( $^{\circ}$ C)	Scale( $^{\circ}$ F)
39	PT 100 , IEC751(ITS90)	-200 $^{\circ}$ C,650 $^{\circ}$ C -328 $^{\circ}$ F,1202 $^{\circ}$ F
40	PT 100 , IEC751(ITS90)	-199.9 $^{\circ}$ C,650.0 $^{\circ}$ C -199.9 $^{\circ}$ F,999.9 $^{\circ}$ F

BC Input Type ( $\equiv$ Voltage and Current)	Scale	
41	0...50 mV $\equiv$	-1999,9999
42	0...5 V $\equiv$	-1999,9999
43	0...10 V $\equiv$	-1999,9999
44	0...20 mA $\equiv$	-1999,9999
45	4...20 mA $\equiv$	-1999,9999

### **1.3 Warranty**

EMKO Elektronik warrants that the equipment delivered is free from defects in material and workmanship. This warranty is provided for a period of two years. The warranty period starts from the delivery date. This warranty is in force if duty and responsibilities which are determined in warranty document and instruction manual performs by the customer completely.

### **1.4 Maintenance**

Repairs should only be performed by trained and specialized personnel. Cut power to the device before accessing internal parts.

Do not clean the case with hydrocarbon-based solvents (Petrol, Trichlorethylene etc.). Use of these solvents can reduce the mechanical reliability of the device. Use a cloth dampened in ethyl alcohol or water to clean the external plastic case.

## 2. Installation



Before beginning installation of this product, please read the instruction manual and warnings below carefully.

In package ,

- One piece unit
- Two pieces mounting clamps
- One piece instruction manual

A visual inspection of this product for possible damage occurred during shipment is recommended before installation. It is your responsibility to ensure that qualified mechanical and electrical technicians install this product.

If there is danger of serious accident resulting from a failure or defect in this unit, power off the system and separate the electrical connection of the device from the system.

The unit is normally supplied without a power switch or a fuse. Use power switch and fuse as required.

Be sure to use the rated power supply voltage to protect the unit against damage and to prevent failure.

Keep the power off until all of the wiring is completed so that electric shock and trouble with the unit can be prevented.

Never attempt to disassemble, modify or repair this unit. Tampering with the unit may results in malfunction, electric shock or fire.

Do not use the unit in combustible or explosive gaseous atmospheres.

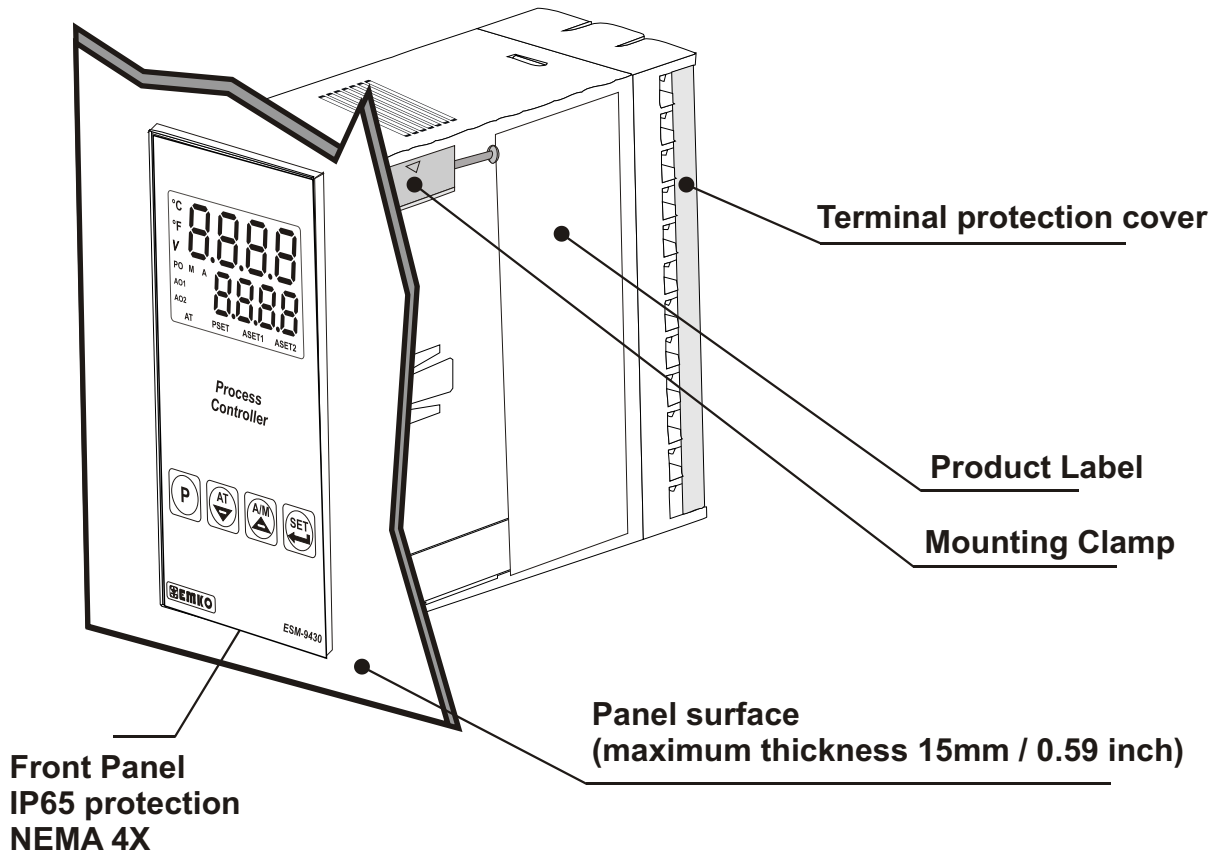
During the equipment is putted in hole on the metal panel while mechanical installation some metal burrs can cause injury on hands, you must be careful.

Montage of the product on a system must be done with it's fixing clamps. Do not do the montage of the device with inappropriate fixing clamp. Be sure that device will not fall while doing the montage.

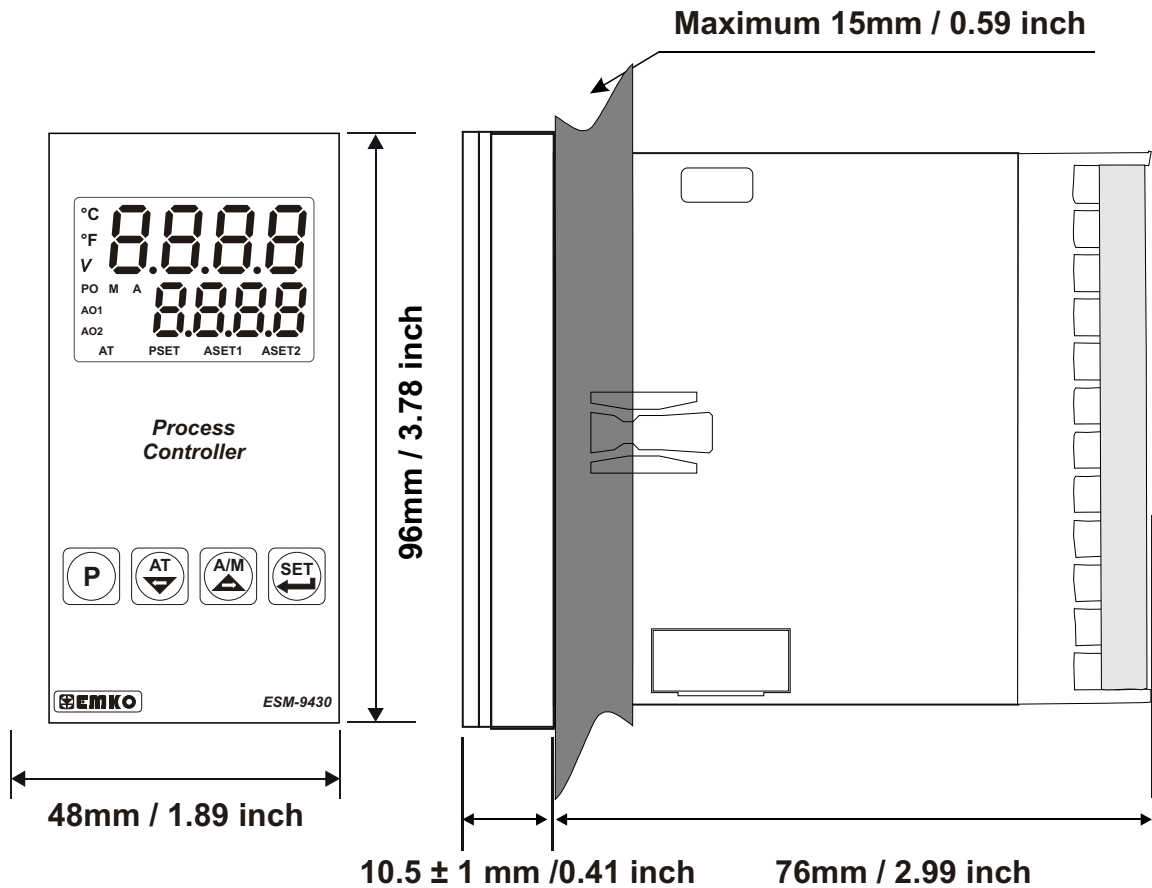
It is your responsibility if this equipment is used in a manner not specified in this instruction manual.



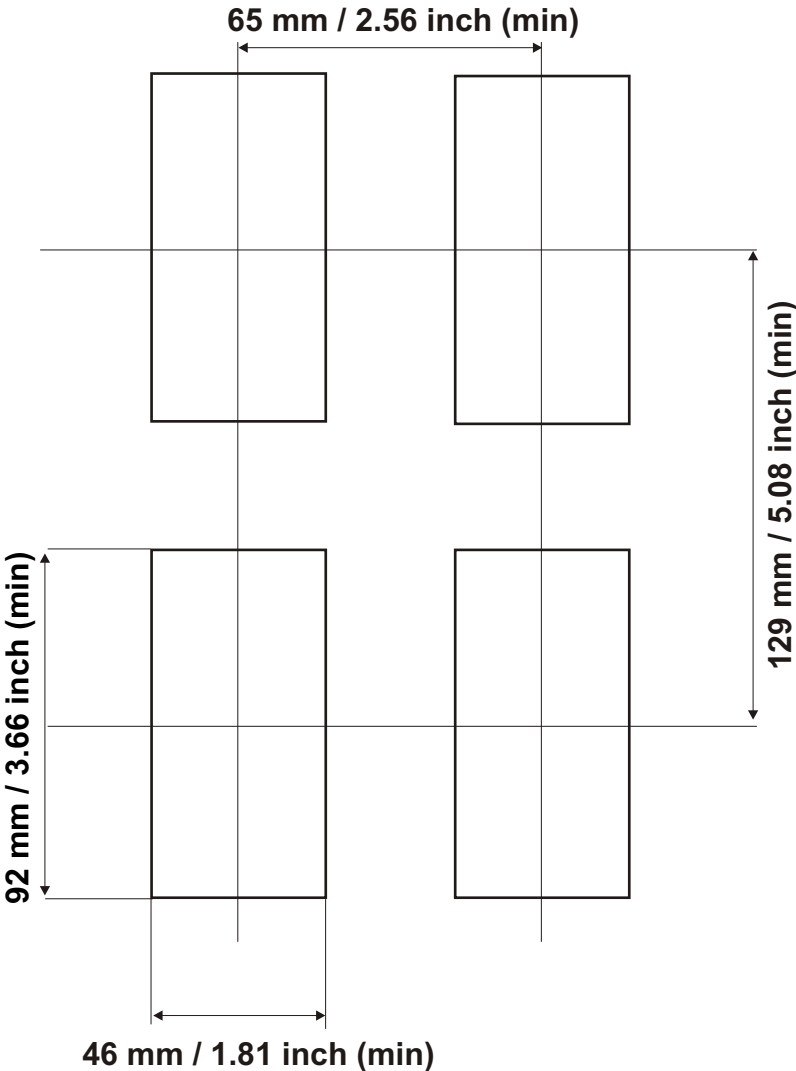
## 2.1 General Description



## 2.2 Dimensions



**2.3 Panel Cut-Out**



## 2.4 Environmental Ratings

### Operating Conditions



**Operating Temperature** : 0 to 50 °C



**Max. Operating Humidity** : 90% Rh (non-condensing)



**Altitude** : Up to 2000m.



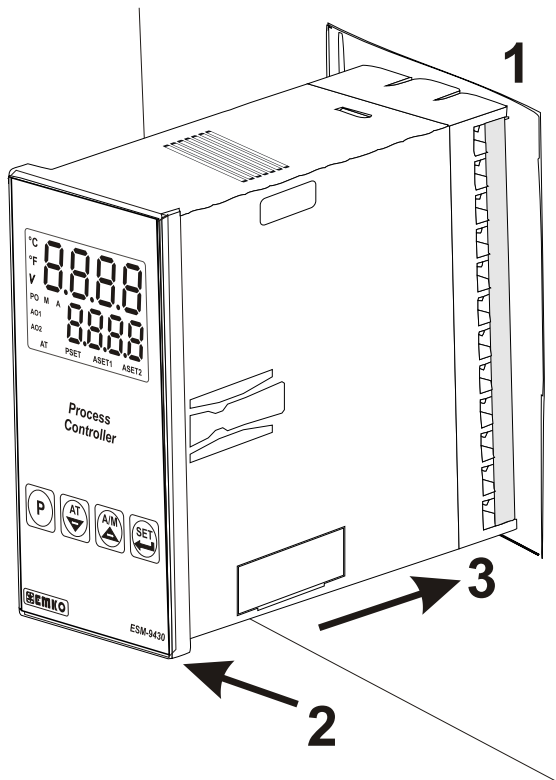
#### **Forbidden Conditions:**

**Corrosive atmosphere**

**Explosive atmosphere**

**Home applications (The unit is only for industrial applications)**

## 2.5 Panel Mounting



1-Before mounting the device in your panel, make sure that the cut-out is of the right size.

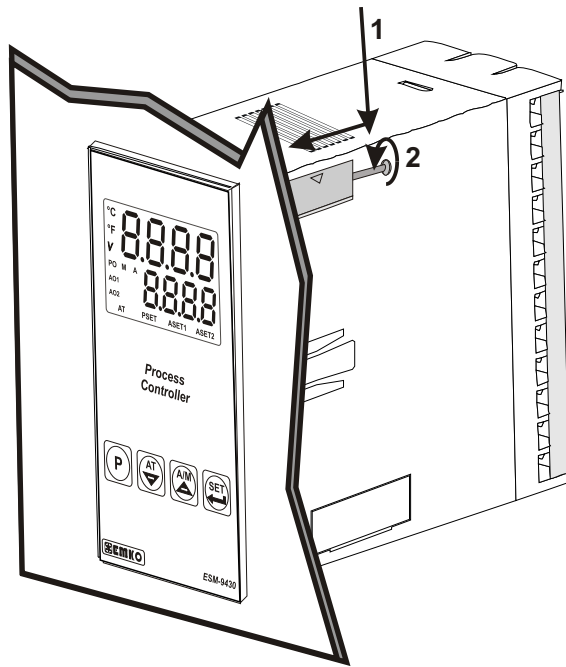
2-Check front panel gasket position

3-Insert the device through the cut-out. If the mounting clamps are on the unit, put out them before inserting the unit to the panel.



During installation into a metal panel, care should be taken to avoid injury from metal burrs which might be present. The equipment can loosen from vibration and become dislodged if installation parts are not properly tightened. These precautions for the safety of the person who does the panel mounting.

## 2.6 Installation Mounting Clamp



The unit is designed for panel mounting.

1-Insert the unit in the panel cut-out from the front side.

2- Insert the mounting clamps to the holes that located top and bottom sides of device and screw up the fixing screws until the unit completely immobile within the panel

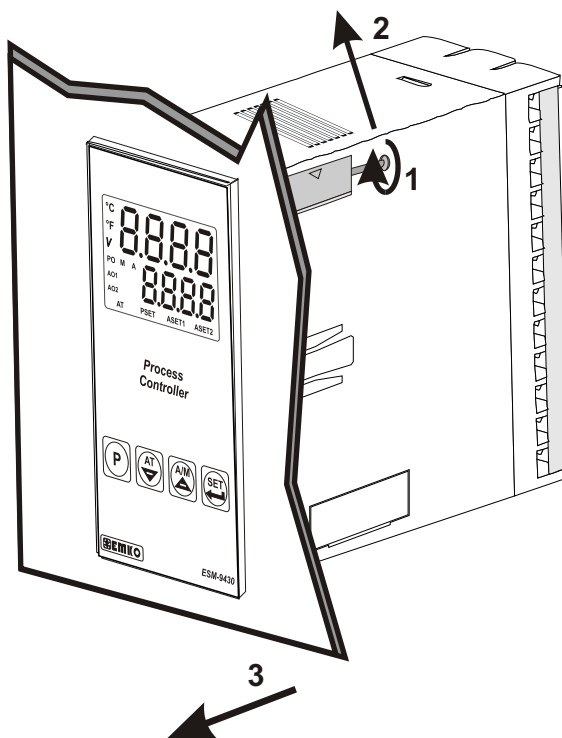


Montage of the unit to a system must be done with it's own fixing clamps. Do not do the montage of the device with inappropriate fixing clamps. Be sure that device will not fall while doing the montage.

## 2.7 Removing from the Panel



Before starting to remove the unit from panel, power off the unit and the related system.



1-Loosen the screws.

2-Pull mounting clamps from top and bottom fixing sockets.

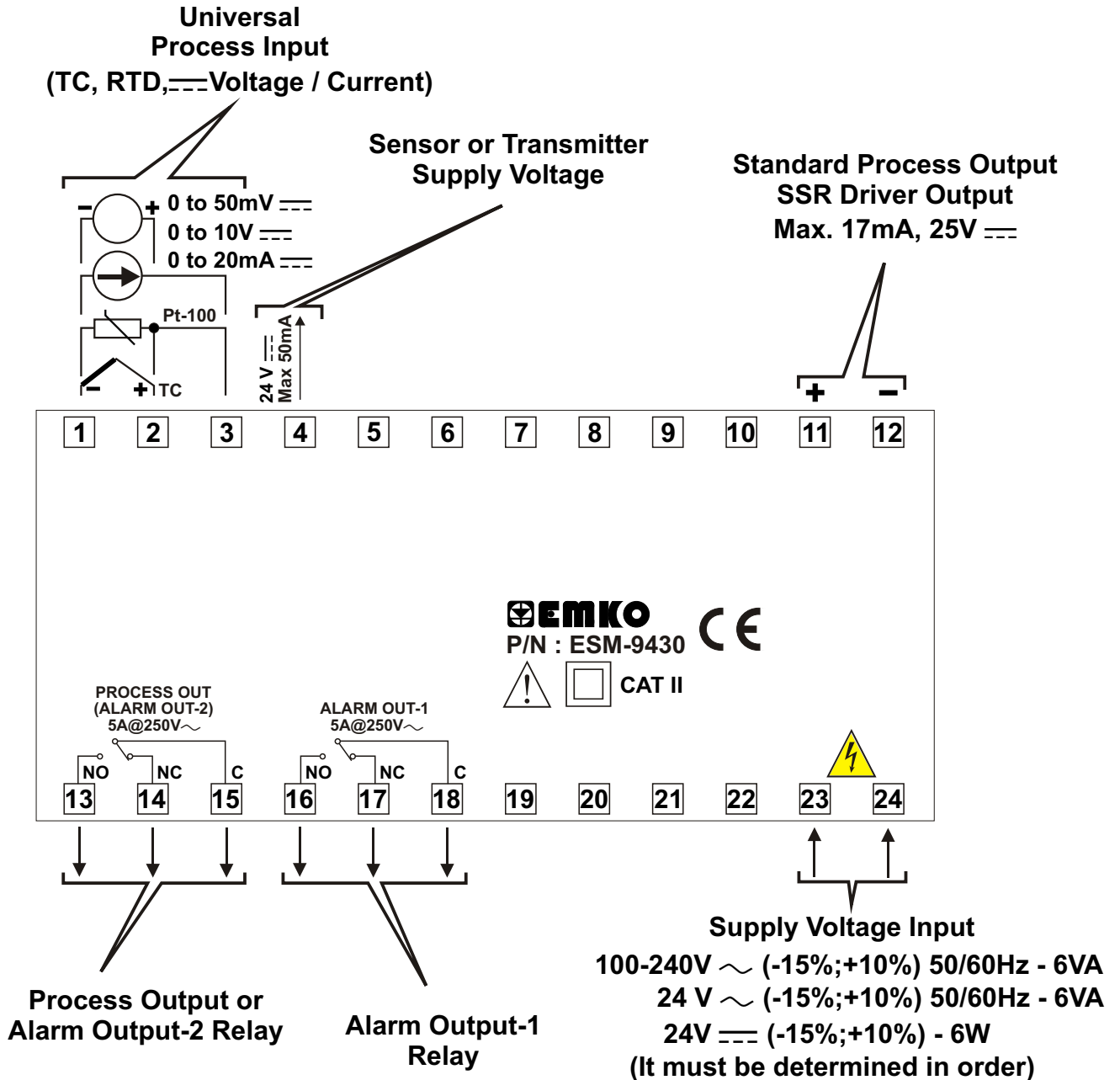
3-Pull the unit through the front side of the panel



### 3.2 Electrical Wiring Diagram

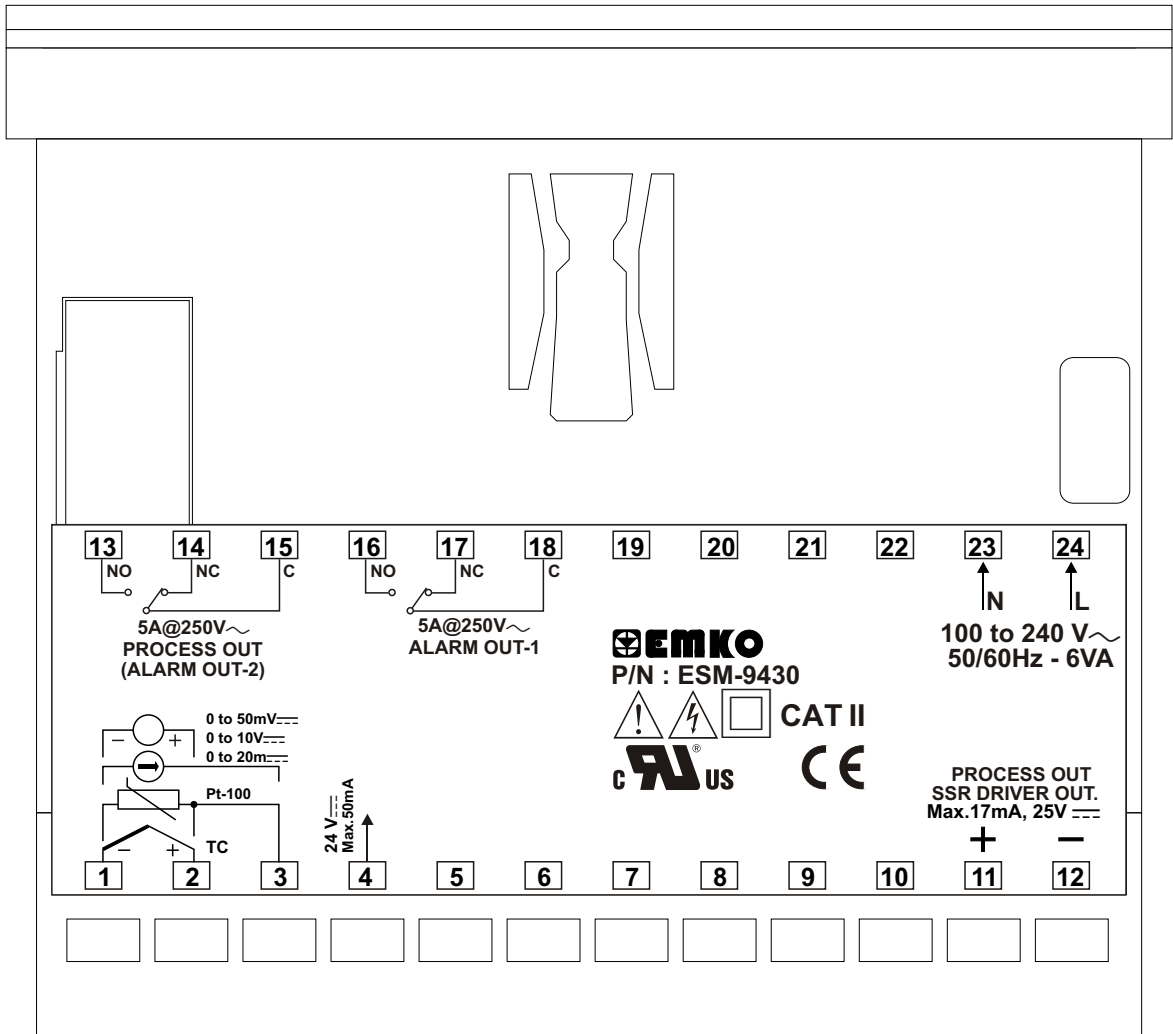


Electrical wiring of the device must be the same as 'Electrical Wiring Diagram' below to prevent damage to the process being controlled and personnel injury.



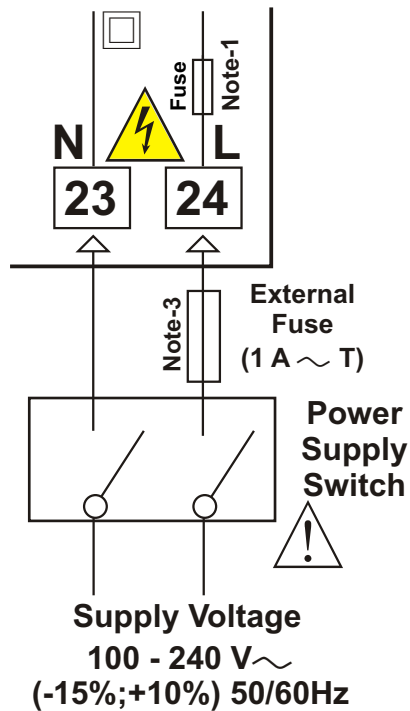
Process input is in CAT II class

### 3.3 View of the Labels

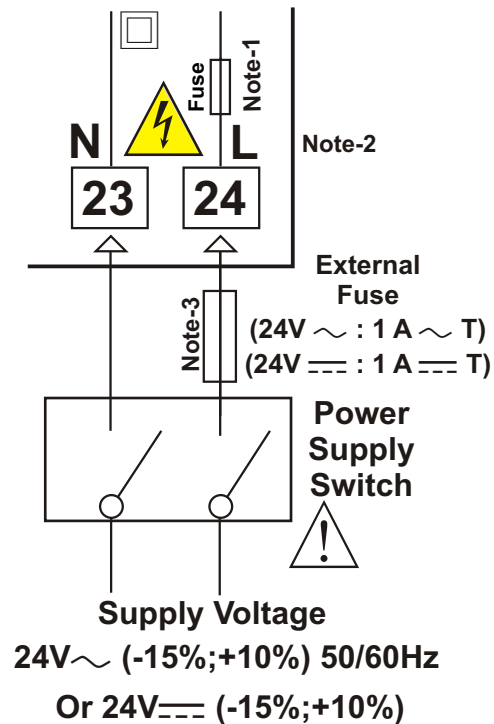


### 3.4 Connection of Device Supply Voltage Input

Universal Supply Voltage Connection



Low Voltage 24 V $\sim$  Supply Voltage Input



**Note-1** : There is an internal 33R fusible flameproof resistor in 100-240 V $\sim$  50/60Hz supply voltage input

There is an internal 4R7 fusible flameproof resistor in 24V $\sim$  50/60Hz , 24V= supply voltage input

**Note-2** : "L" is (+) , "N" is (-) for 24V= supply voltage

**Note-3** : External fuse is recommended.



Make sure that the power supply voltage is the same indicated on the instrument.  
Switch on the power supply only after that all the electrical connections have been completed.

Supply voltage range must be determined in order. While installing the unit, supply voltage range must be controlled and appropriate supply voltage must be applied to the unit. Controlling prevents damages in unit and system and possible accidents as a result of incorrect supply voltage.



There is no power supply switch on the device. So a power supply switch must be added to the supply voltage input. In accordance with the safety regulations, the power supply switch shall bring the identification of the relevant instrument. Power supply switch shall be easily accessible by the user.

Power switch must be two poled for separating phase and neutral. On/Off condition of power switch is very important in electrical connection. On/Off condition of power switch must be signed for preventing the wrong connection.

If an external fuse is used, it must be on phase connection in  $\sim$  supply input.

If an external fuse is used, it must be on (+) line connection in = supply input.

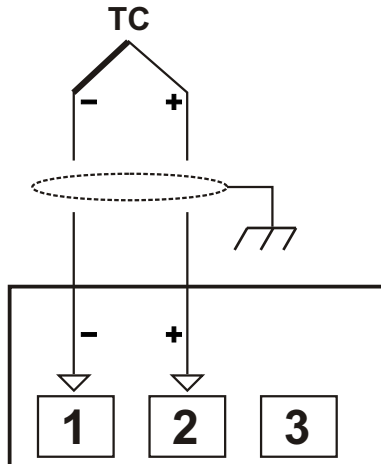


The instrument is protected with an internal fuse (Please refer to Note1 for information). In case of failure it is suggested to return the instrument to the manufacturer for repair.



## 3.5 Process Input Connection

### 3.5.1 TC (Thermocouple) Connection



Connect the wires with the polarity as shown in the figure left.

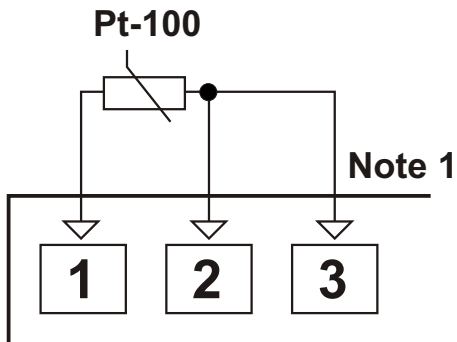


Always use compensation wire corresponding to the thermocouple used. If present, the shield must be connected to a proper ground.

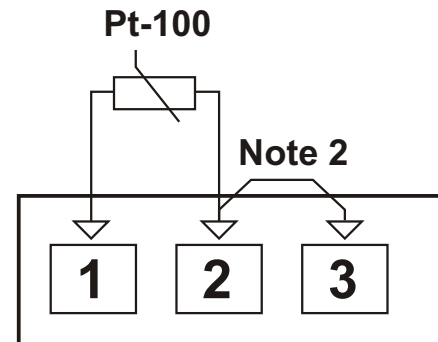


Input resistance is greater than 10M

### 3.5.2 RTD Connection



3-wire Pt-100 connection  
(with line compensation)  
(Max. Line impedance is 10 )



2-wire Pt-100 connection  
(without line compensation)

**Note 1 :** In 3-wire system, use always cables of the same diameter (min 1mm<sup>2</sup>) Always use wires of the same gauge and type whether a 2-wire or 3-wire system.

**Note 2 :** Install a jumper between terminals 2 and 3 when using a 2-wire RTD.

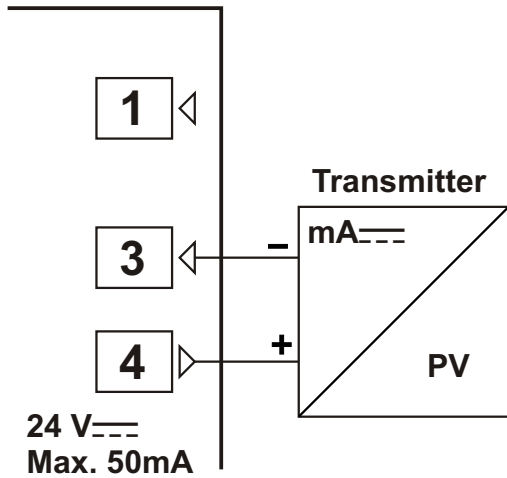
**Note 3 :** If the distance is longer than 10 meters, use 3-wire system



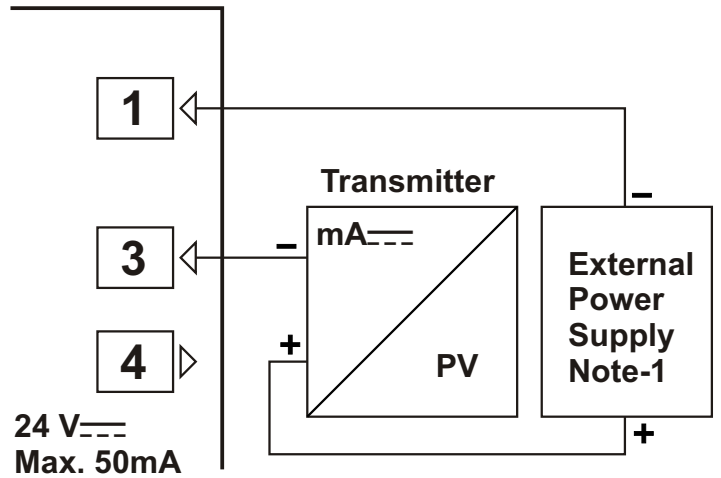
Input resistance is greater than 10M

### 3.5.3 Process Input Connection of Serial Transmitters with Current Output (Loop Powered)

Transmitter connection by using supply voltage on the device



Transmitter connection by using external supply voltage source.



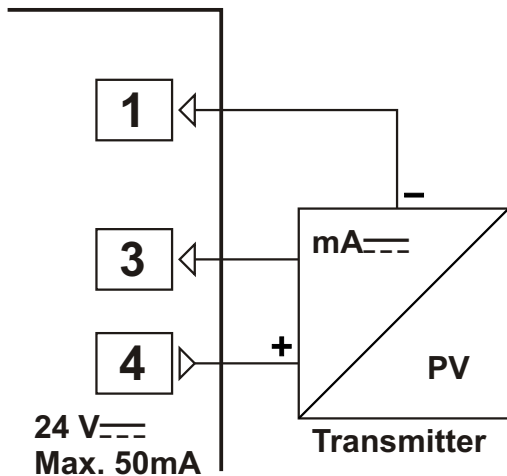
**Note 1 :** External power supply must be selected according to supply voltage range and required current for transmitter.



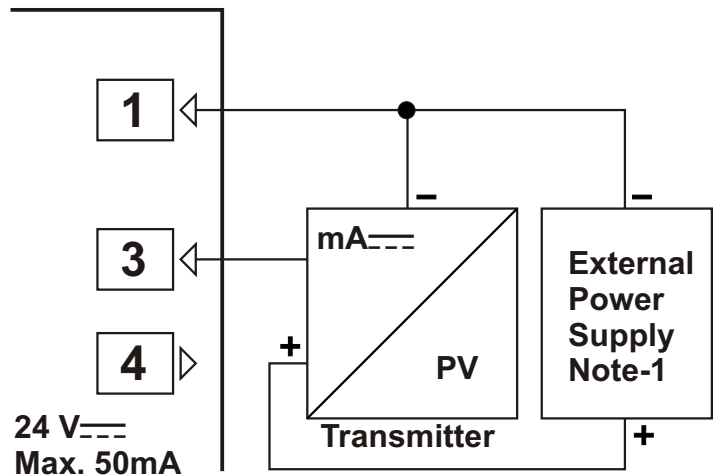
Input resistance is  $2R7$  .

### 3.5.4 Process Input Connection of 3-wire Transmitters with Current Output

Transmitter connection by using supply voltage on the device



Transmitter connection by using external supply voltage source.



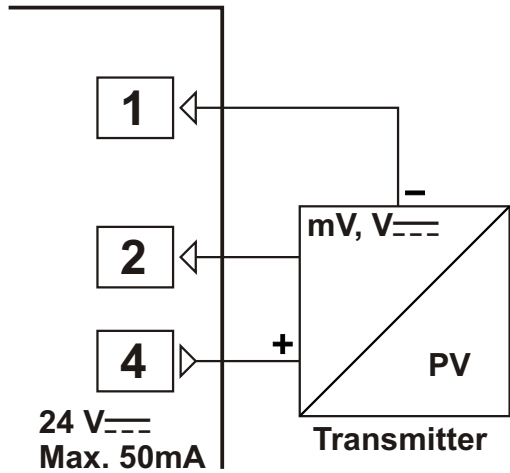
**Note-1 :** External power supply must be selected according to supply voltage range and required current for transmitter.



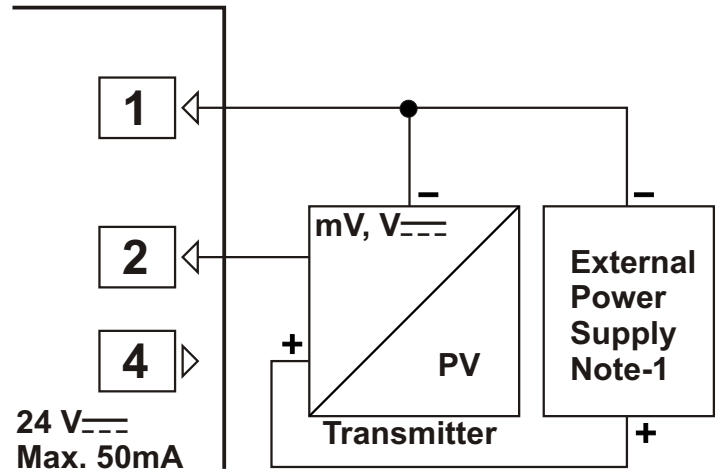
Input resistance is  $2R7$  .

### 3.5.5 Connection of Transmitters with Voltage Output to Process Input

Transmitter connection by using supply voltage on the device



Transmitter connection by using external supply voltage source.

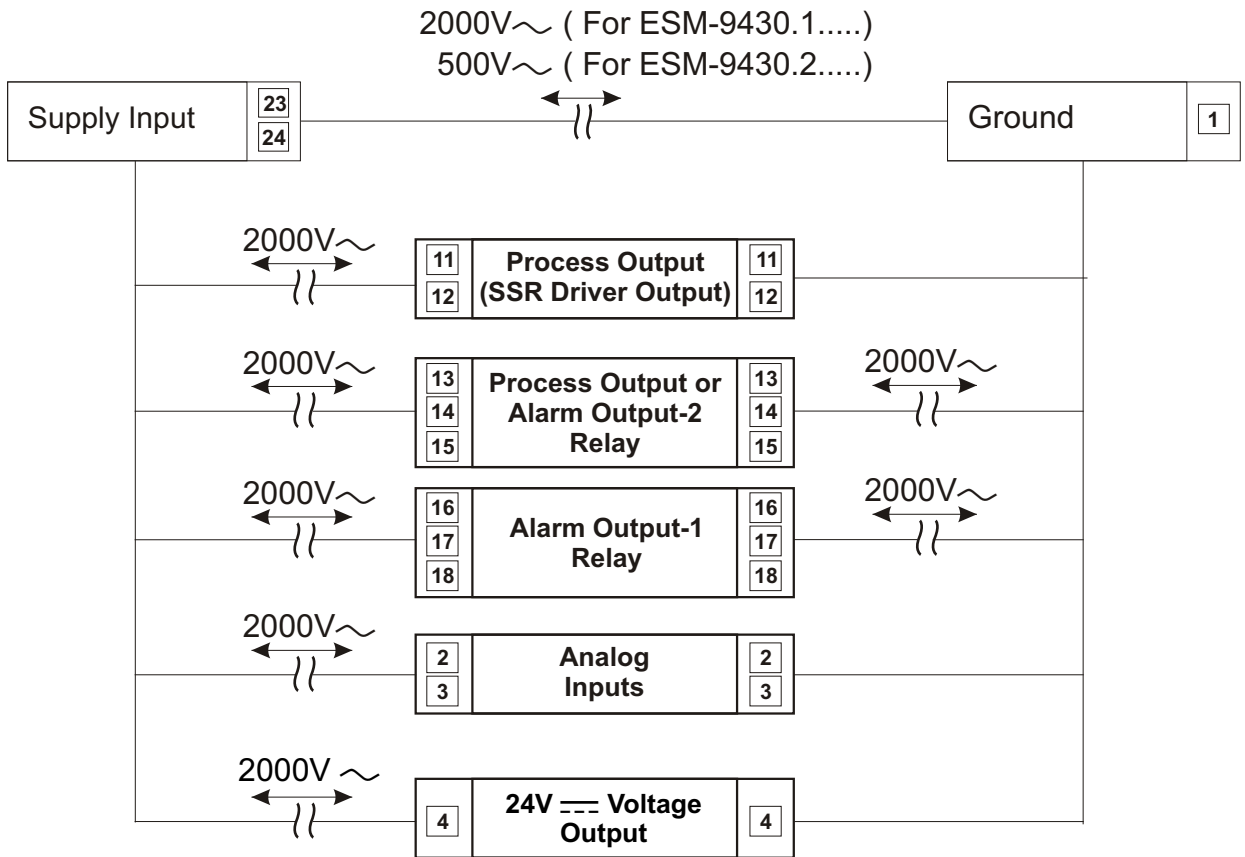


**Note-1 :** External power supply must be selected according to supply voltage range and required current for transmitter.



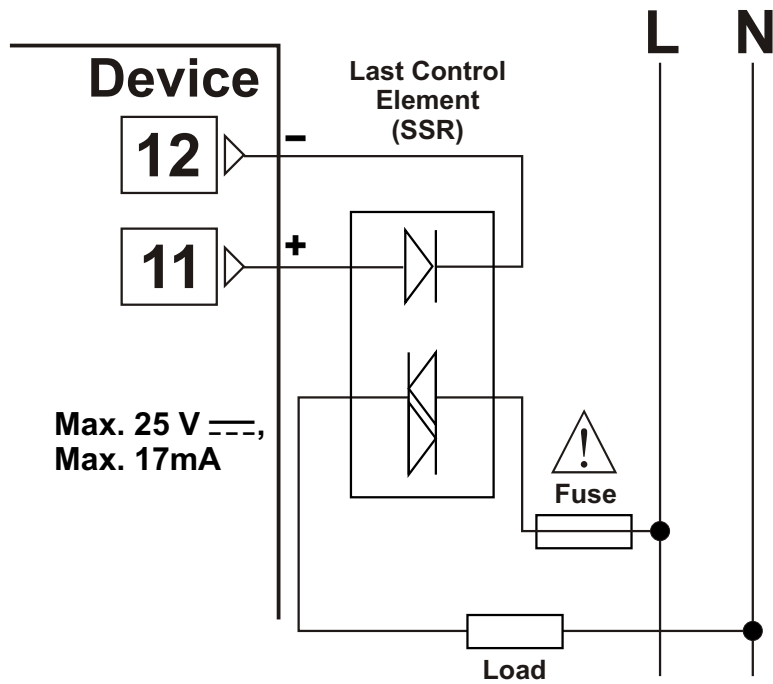
Input resistance is greater than 10M for 0...50mV  
 Input resistance is greater than 43K for 0...10V

### 3.6 Galvanic Isolation Test Values of ESM-9430 Process Controller



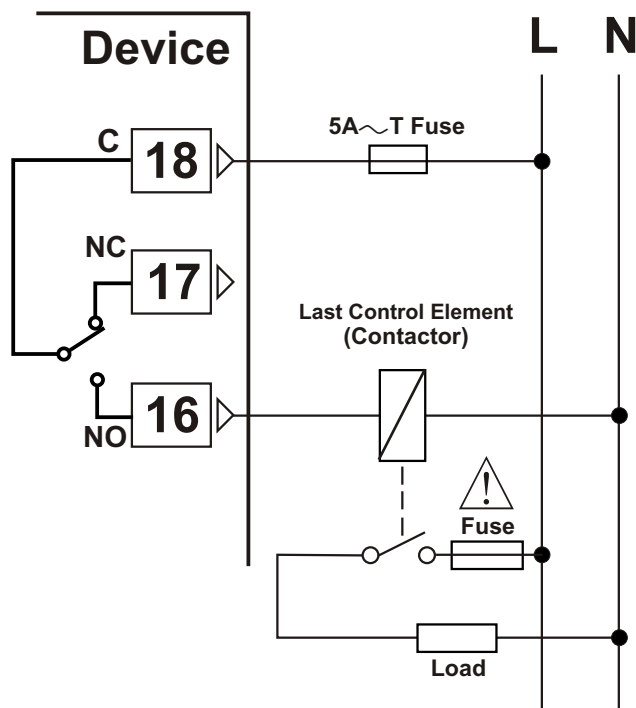
## 4. Connection Wirings for Outputs in ESM-9430 Process Controller

### 4.1 Process Output ( SSR Driver Output ) Connection



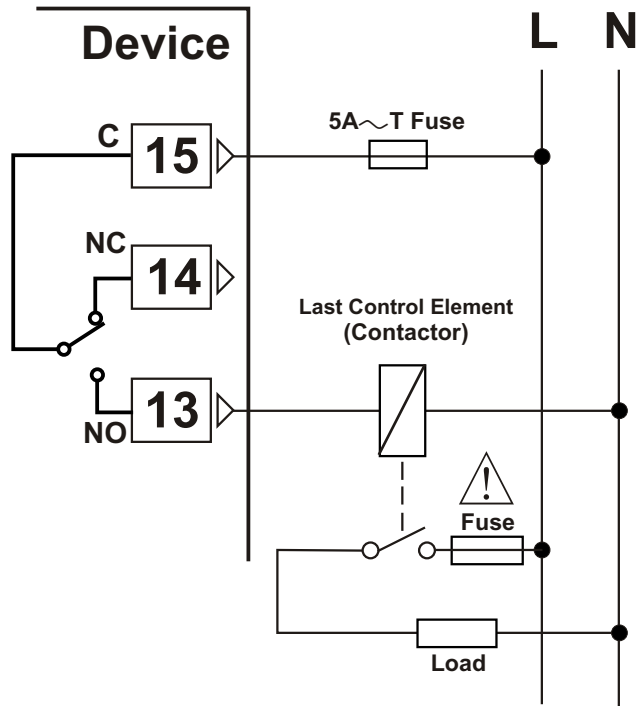
Fuses must be selected according to the applications.

### 4.2 Alarm Output-1 Relay Connection



Fuses must be selected according to the applications.

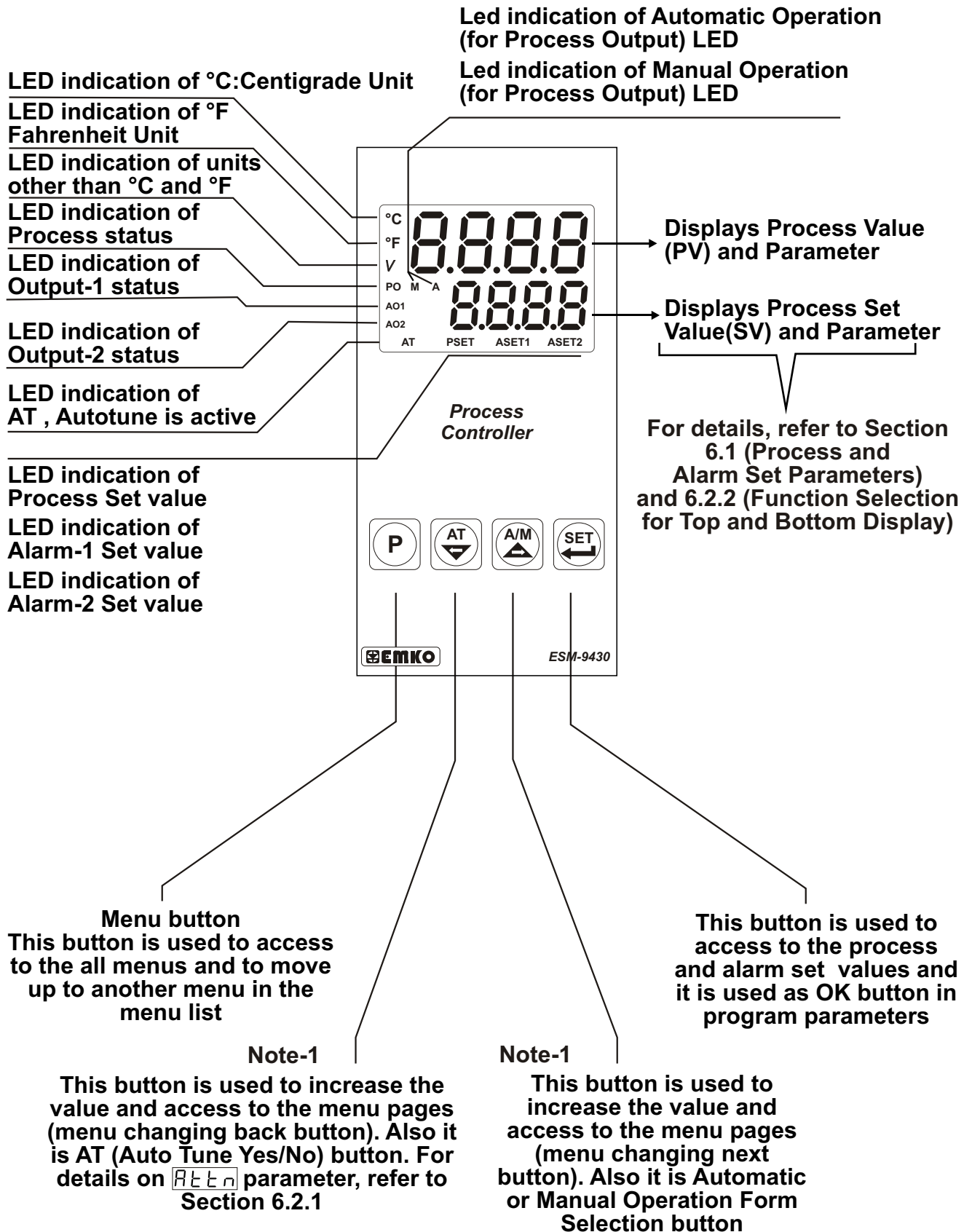
### 4.3 Process Output or Alarm Output-2 Relay Connection



Fuses must be selected according to the applications.

## 5. Definition of Front Panel and Accessing to the Parameters

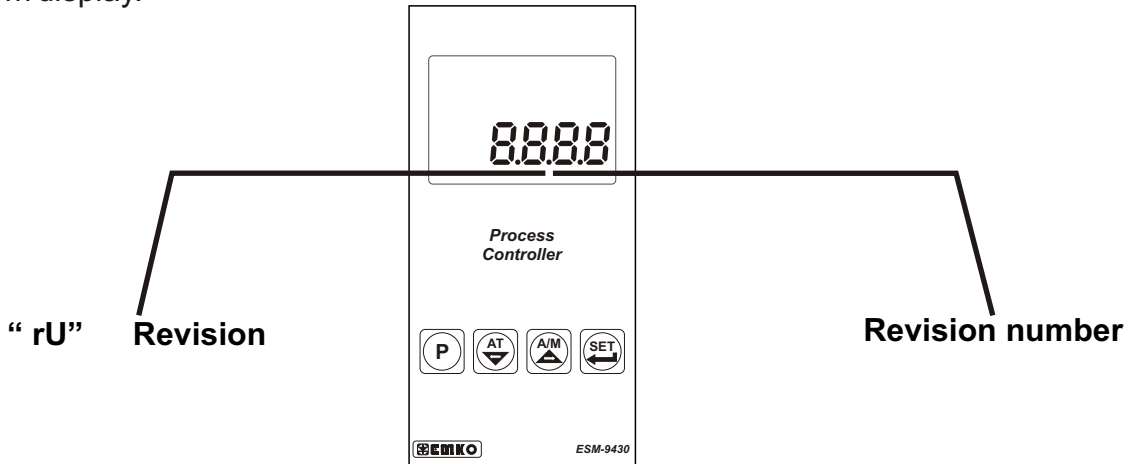
### 5.1 Definition of Front Panel



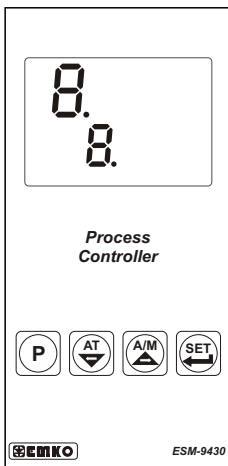
**Note-1:** If increment or decrement button is pressed for 5 seconds continuously, increment and decrement number become 10, if increment or decrement button is pressed for 10 seconds continuously, increment and decrement number become 100.

## 5.2 Observation of Software Revision on the Bottom Display When Power Is On

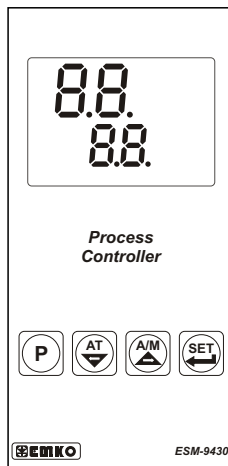
When the power is applied to the device all led indicators and display segments are momentarily illuminated for testing. Software revision number of the controller is momentarily illuminated on the bottom display.



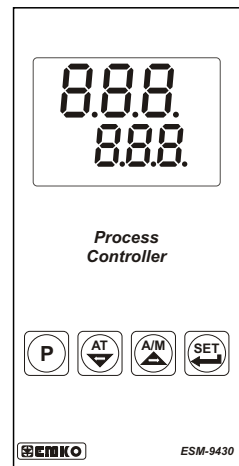
When power is on, display of the device is like below:



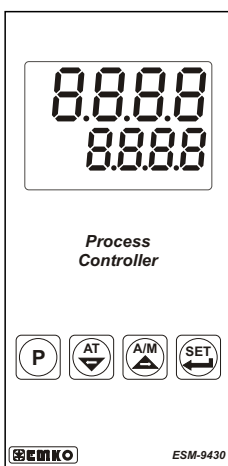
First segments of top and bottom displays are tested



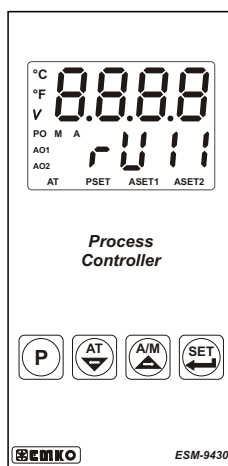
Second segments of top and bottom displays are tested.



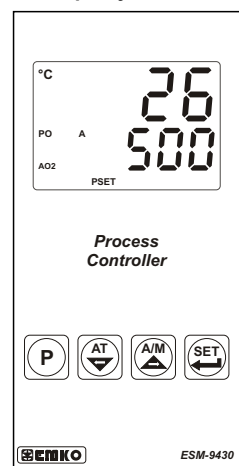
Third segments of top and bottom displays are tested.



Fourth segments of top and bottom displays are tested.



All leds are energised. On bottom display revision number is shown. Revision number is “11”.



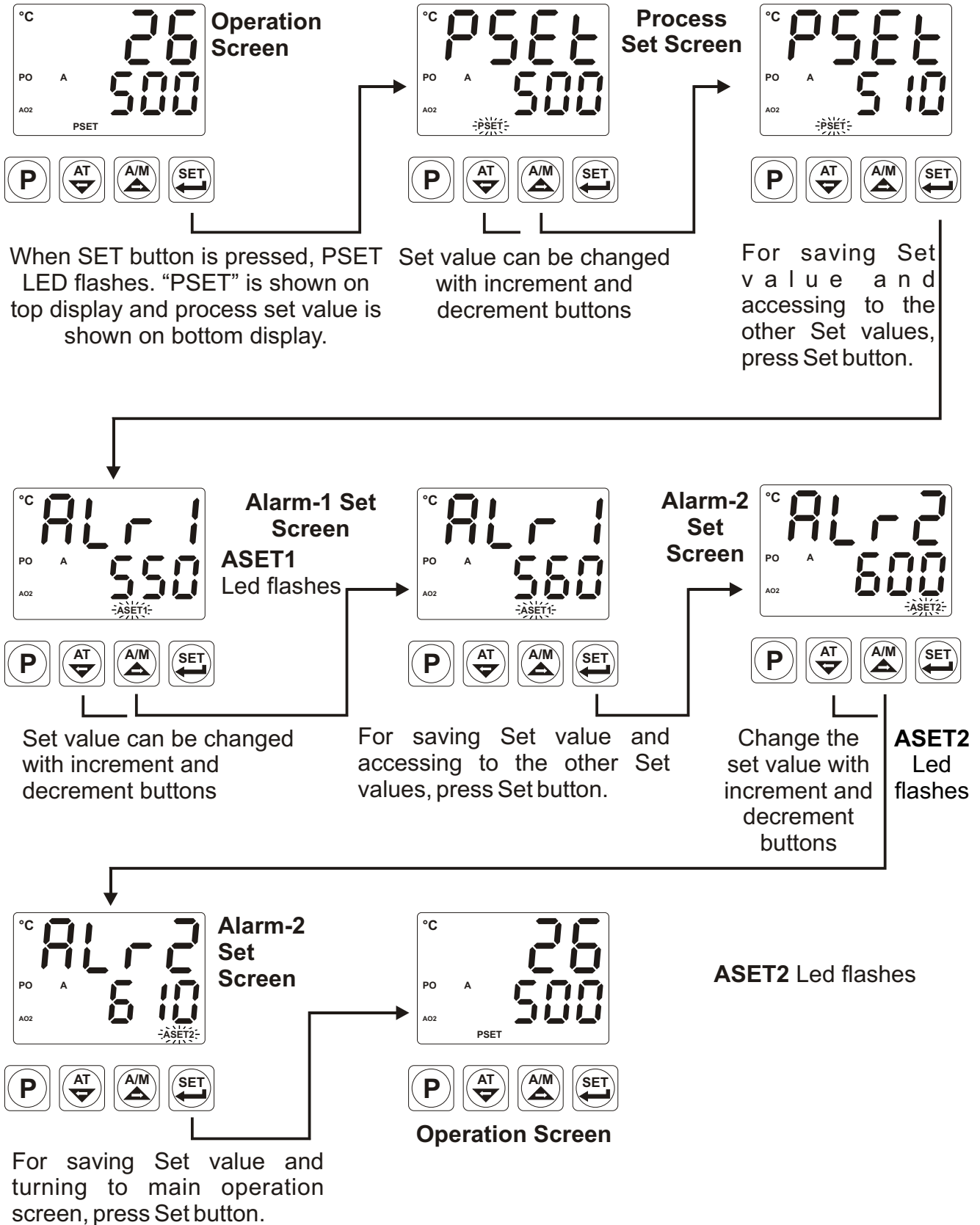
Main operation screen is shown



If there is an unexpected situation while opening the device, power off the device and inform a qualified personnel.



### 5.3 Adjustment of Process and Alarm Set Values

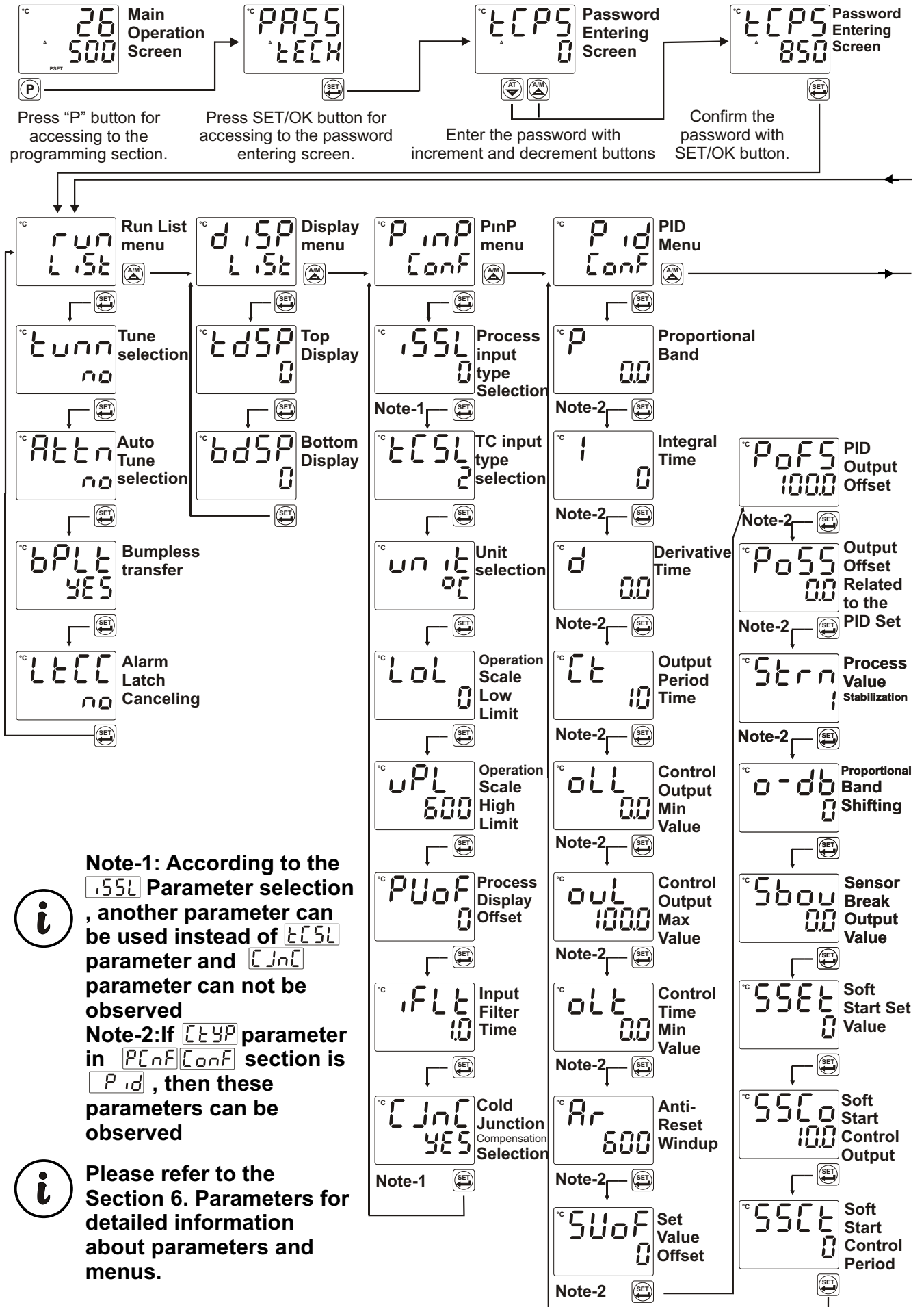


If  $\square$ PCnF parameter in PCnF menu is  $\square$ 0, ALr2 is accessible. If it is  $\square$ 1, this parameter is not accessible and device turns to main operation screen.



Press menu button "P" any time to exit without saving the Set value.

## 5.4 Easy Access Diagram For Program Parameters



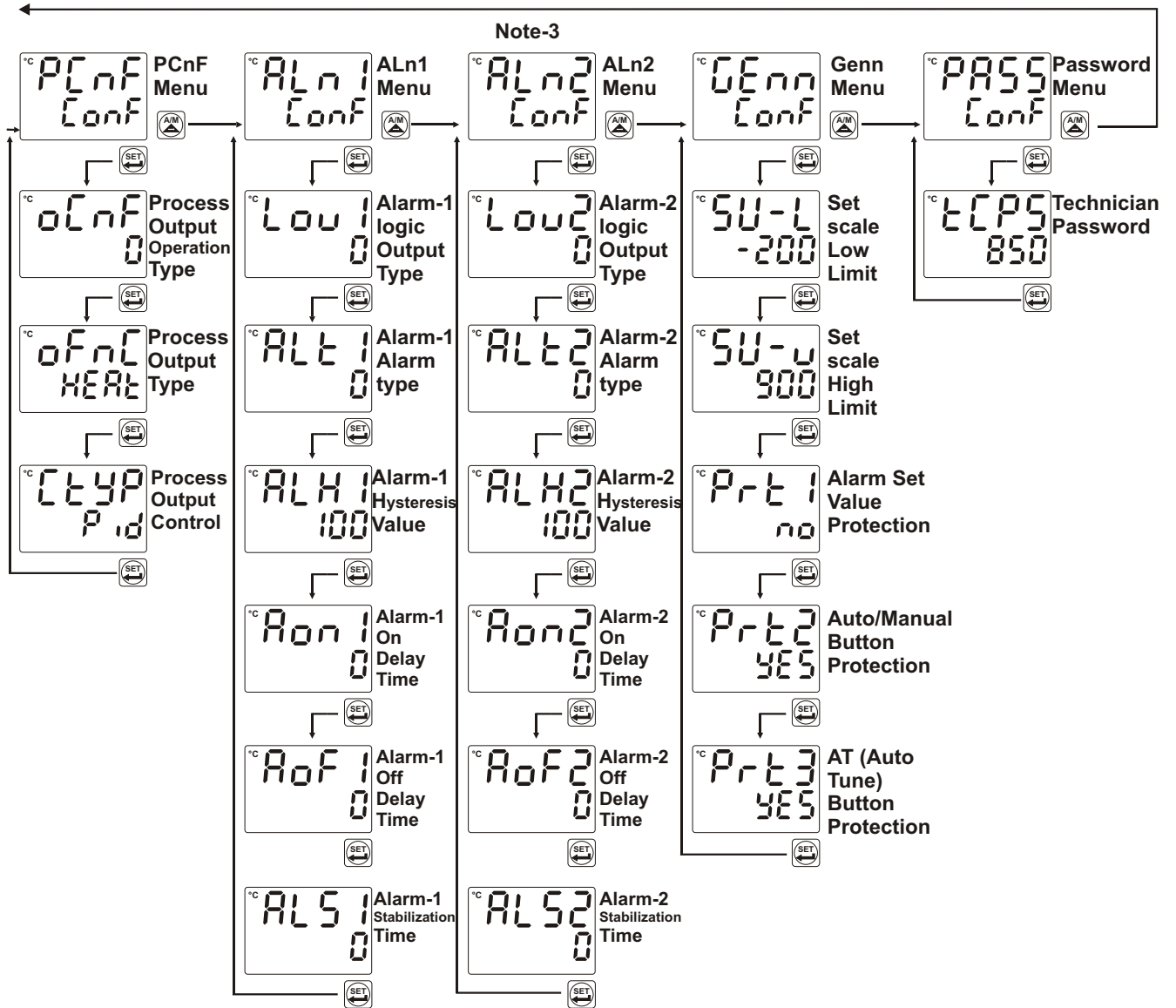
**Note-1:** According to the 155L Parameter selection, another parameter can be used instead of tCSL parameter and CJnC parameter can not be observed

**Note-2:** If tYP parameter in PCnFCONF section is P id, then these parameters can be observed



Please refer to the Section 6. Parameters for detailed information about parameters and menus.

## 5.4 Easy Access Diagram For Program Parameters



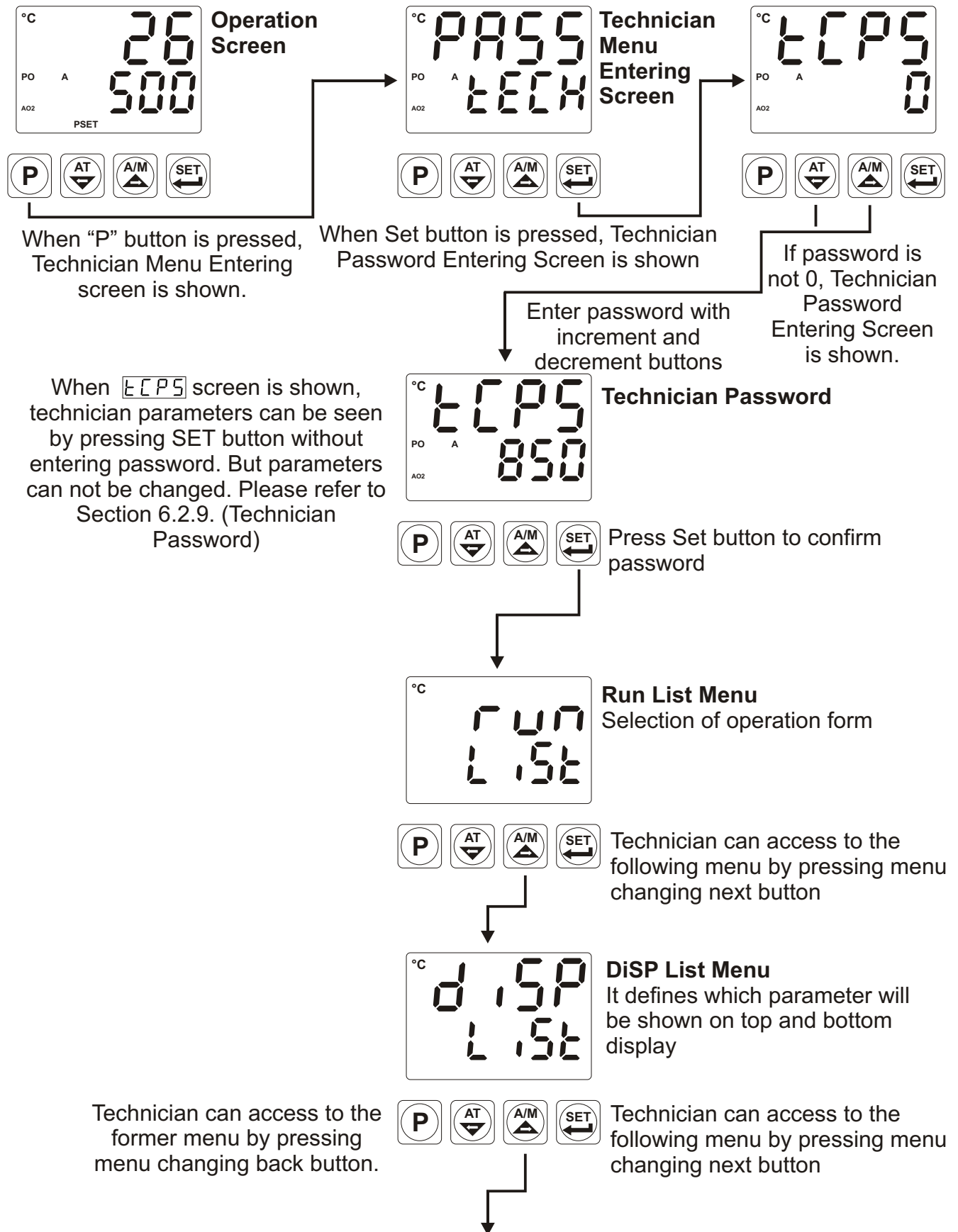
**Note-3:** This menu can be observed if `oCnF` parameter in `PCnF Conf` section is selected

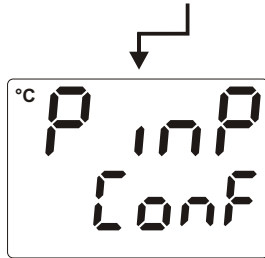


Please refer to the Section 6. Parameters for detailed information about Parameters and menus.

## 5.5 Accessing to the Technician Menu

The parameters have been divided into groups according to their functions. Every group has a title and firstly user must determine the title (menu) for accessing to the parameters. Refer to the parameters section for detailed information about parameters.





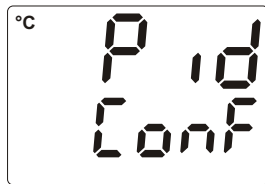
### PINP CONF Menu

Configuration parameters of process input

Technician can access to the former menu by pressing menu changing back button.



Technician can access to the following menu by pressing menu changing next button



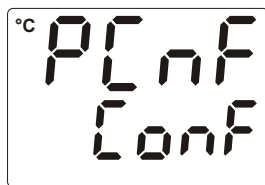
### PID CONF Menu

PID algorithm parameters

Technician can access to the former menu by pressing menu changing back button.



Technician can access to the following menu by pressing menu changing next button



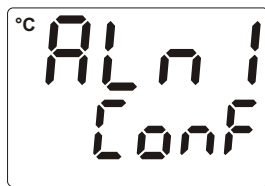
### PCnF CONF Menu

Configuration parameters of Process outputs

Technician can access to the former menu by pressing menu changing back button.



Technician can access to the following menu by pressing menu changing next button



### ALn1 CONF Menu

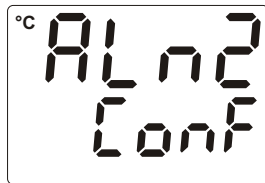
Configuration parameters of ALARM -1 output

Technician can access to the former menu by pressing menu changing back button.



Technician can access to the following menu by pressing menu changing next button

This parameter is accessible if PCnF parameter in PCnF menu is



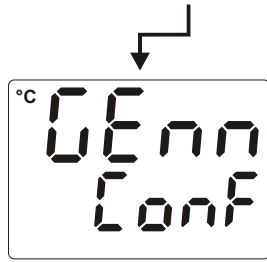
### ALn2 CONF Menu

Configuration parameters of ALARM -2 Output

Technician can access to the former menu by pressing menu changing back button.



Technician can access to the following menu by pressing menu changing next button



**GENN CONF Menu**  
General parameters

Technician can access to the former menu by pressing menu changing back button.



Technician can access to the following menu by pressing menu changing next button

**This menu is not accessible if Technician parameters are accessed by pressing SET button without entering technician password**

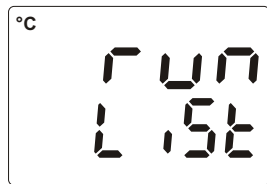


**PASS CONF Menu**  
Technician password

Technician can access to the former menu by pressing menu changing back button.



Technician can access to the following menu by pressing menu changing next button



**Run List Menu**  
After PASS CONF menu, beginning of the menu list is shown.

Technician can access to the former menu by pressing menu changing back button.



Press Menu button to exit from Menu list and turn back to operation screen

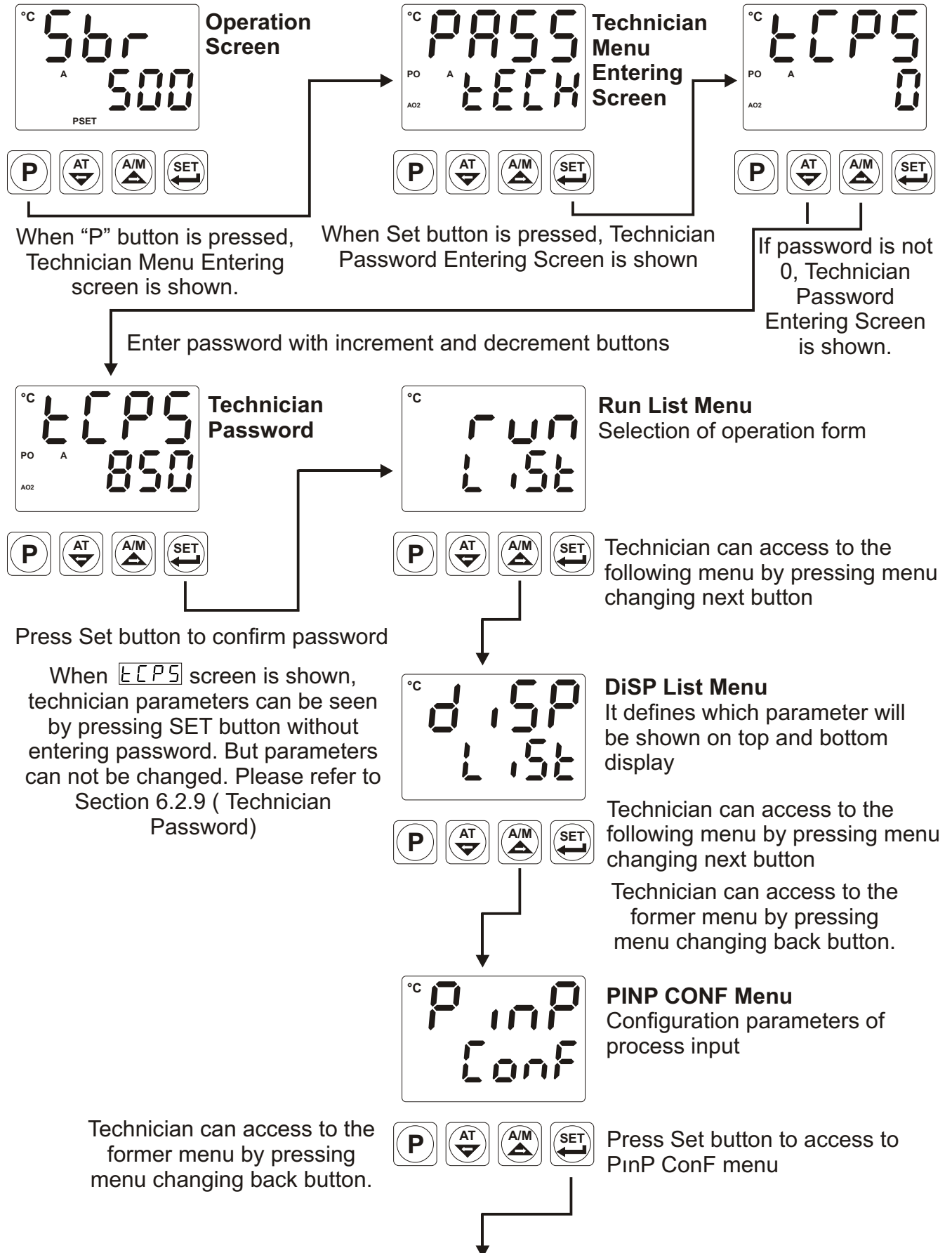
Continue to press menu changing next and back buttons to change the menu pages

By pressing SET button, technician can access to the menu page and all parameters in this menu page.

## 5.6 Changing and Saving Parameters

**Example-1 :** To change Process Input Type parameter  $\boxed{155L}$

Process Input Type parameter  $\boxed{155L}$  is in “PinP Conf” menu, so PinP ConF menu must be accessed firstly in order to reach  $\boxed{155L}$  parameter.



**Process Input Type Selection**  
155L is [ ] means, input type is RTD.

Parameter can be changed with increment and decrement buttons

**Process Input Type Selection**  
TC input type is selected

Press Set button to confirm the value and access to the next parameter.

**TC Input Type Selection**

Press Set button to access to the next parameter

**PINP CONF Menu**  
When Menu button is pressed, technician can access to the menu pages.

For accessing to the other menus, press menu changing next and back buttons.

Press Menu button for turning to the operation screen

**Operation Screen**

**Unit Selection**



**Example-2 :** Changing operation form from “Auto” to “Manual” and adjustment of % output.  
 If operation form is **Auto (Close-Loop Control)** and there is an output with PID or ON/OFF control form, device controls the process outputs by calculating the % output values automatically.

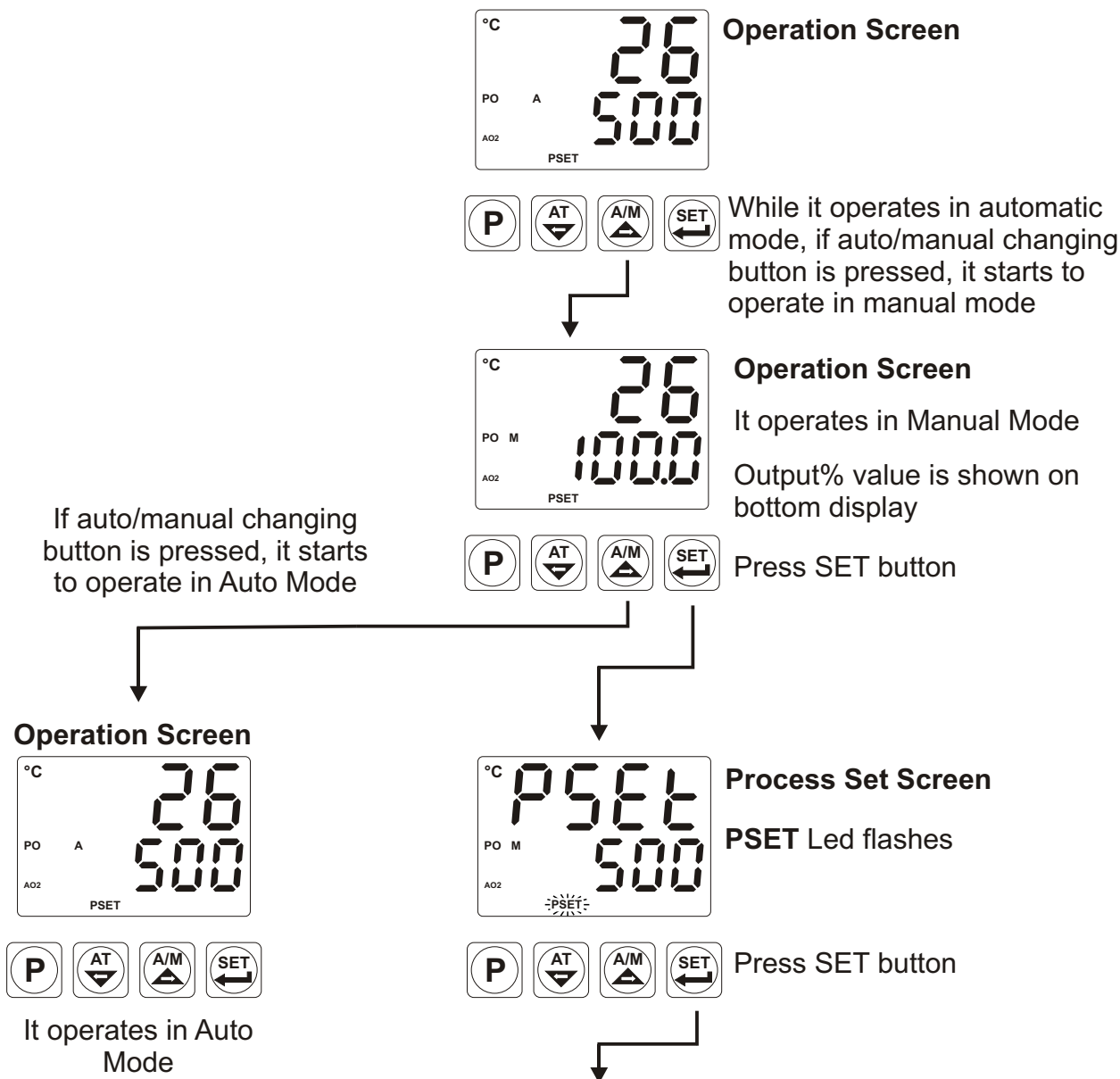
If operation form is **Manual (Open-Loop Control)** and there is an output with PID control form, then % output value can be adjusted with increment and decrement buttons.

If operation form is **Manual (Open-Loop Control)**, and there is an output with ON/OFF control form, then %output value can be adjusted OFF, HEAT or COOL with decrement and increment buttons.

If operation form is Manual, % output value is shown on bottom display whatever **bdsP** parameter is.



**Auto/Manual Operation Form can be adjusted Auto or Manual with A/M button from front panel. For using this button, Auto/Manual Operation Type Selection Parameter **Prt2** must be **no** . For details on this parameter, refer to Section 6.2.8 General Parameters.**



↓

°C

AL-1

PO M

550

AO2

-ASET1-

**Alarm-1 Set Screen**

ASET1 Led flashes

P

AT  
▽

A/M  
△

SET  
←

Press SET button

ASET2 Led flashes

↓

°C

AL-2

PO M

600

AO2

-ASET2-

**Alarm-2 Set Screen**

This parameter is accessible if  CnF parameter in PCnF menu is  . It is not accessible if  CnF Parameter is  !

P

AT  
▽

A/M  
△

SET  
←

Press SET button

Manual Led flashes

↓

°C

26

PO M

1000

AO2

**Operation Screen**

Output% value can be changed with increment and decrement buttons.

P

AT  
▽

A/M  
△

SET  
←

↓

°C

26

PO M

800

AO2

**Operation Screen**

P

AT  
▽

A/M  
△

SET  
←

Press Set button to confirm the value and turn to operation screen

↓

°C

26

PO M

800

AO2

**Manual Led stops flashing**

P

AT  
▽

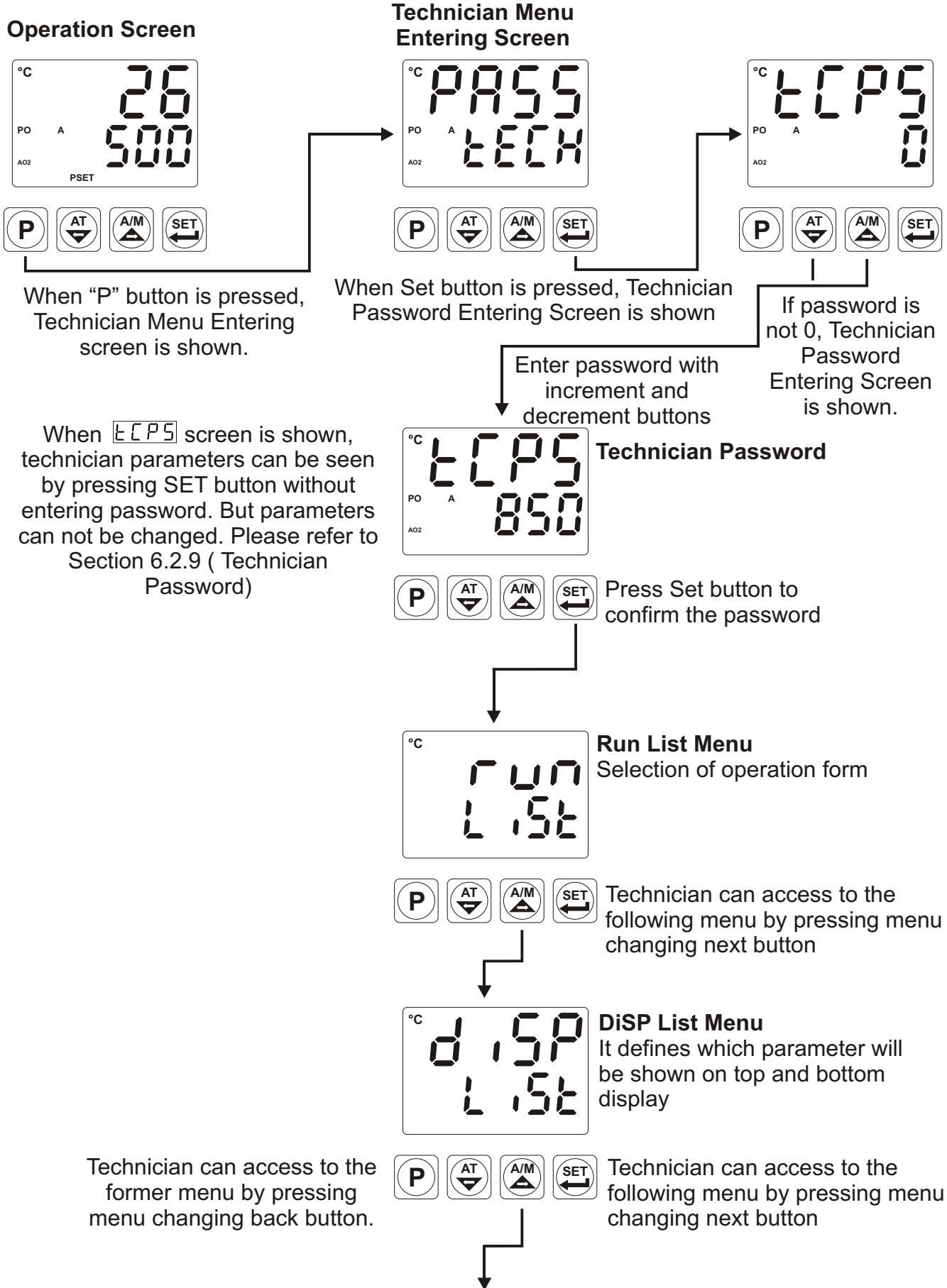
A/M  
△

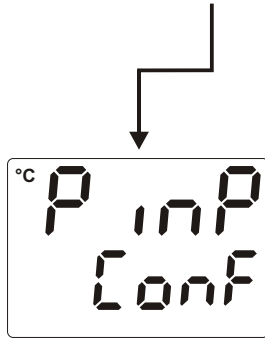
SET  
←

**Operation Screen**

**Example-3 :** To change proportional band parameter  $P$

Proportional band parameter  $P$  is in “Pid Conf” menu, so “Pid Conf” menu must be accessed firstly.



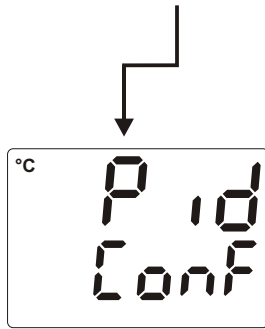


**PINP CONF Menu**  
Configuration parameters of process input

Technician can access to the former menu by pressing menu changing back button.



Technician can access to the following menu by pressing menu changing next button

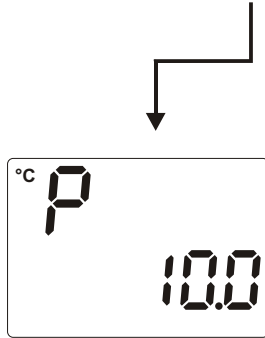


**PID CONF Menu**  
PID algorithm parameters

Technician can access to the former menu by pressing menu changing back button.



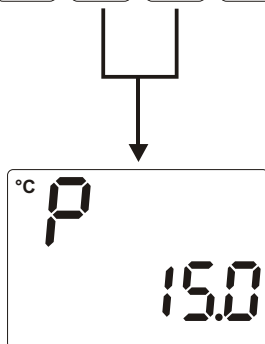
Enter Set button to access to Pid ConF menu



**Proportional Band Selection**



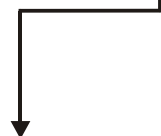
Parameter can be changed with increment and decrement buttons

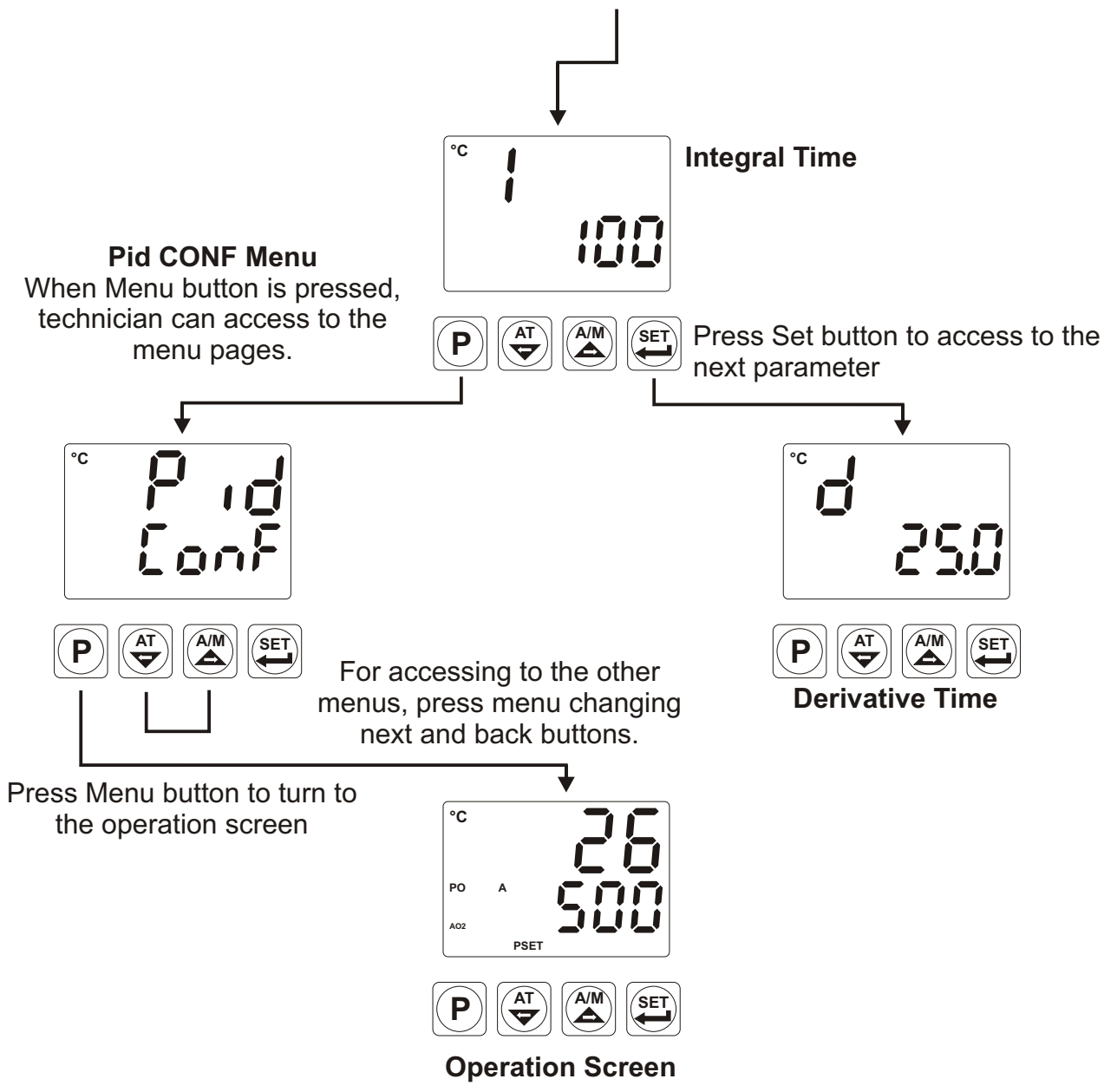


**Proportional Band Selection**



Press Set button to confirm the value and access to the next parameter

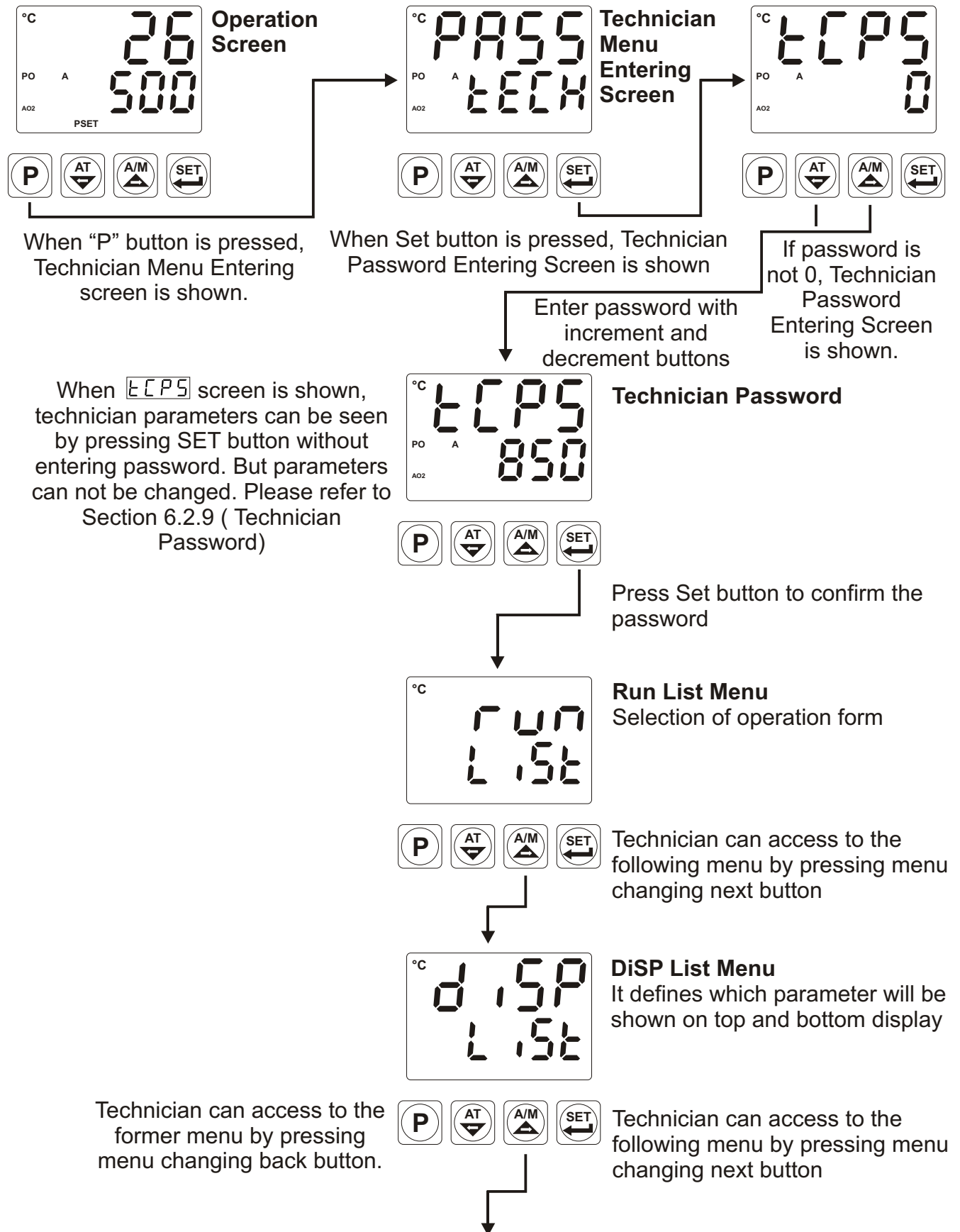


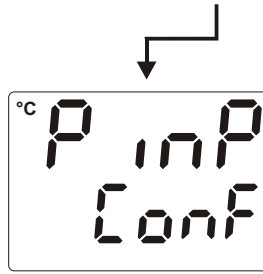


**Example-4 :** To change Voltage / Current Input Calibration Type Selection parameter

**LCAL** In “PinP Conf” menu

**LCAL** Parameter is in “PinP Conf” menu. For accessing to this parameter, technician must access to “PinP Conf” menu firstly. In this example, changing input type of a device from thermocouple to Voltage / Current and dual point calibration selection is shown.



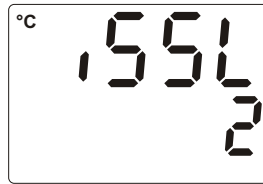


**PINP CONF Menu**  
Configuration parameters of process input

Technician can access to the former menu by pressing menu changing back button.



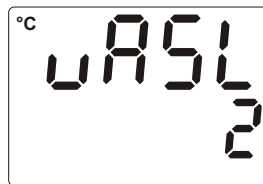
Enter PinP ConF menu by pressing Set button



**Process Input Type Selection**  
For accessing to uCAL parameter, 155L parameter must be 2. If it is not 2, change the value as 2 With increment button.



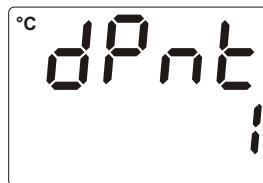
Press Set button to confirm the value and access to the next parameter



**Voltage / Current Input Type Selection**



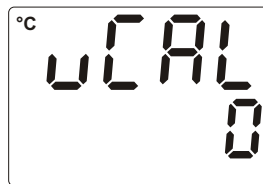
Press Set button to access to the next parameter



**Decimal Point Position**



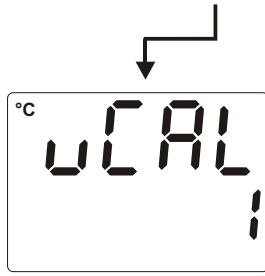
Press Set button to access to the next parameter



**Voltage / Current Input Calibration Type Selection**



Parameter can be changed with increment and decrement buttons



Voltage / Current Input Calibration Type Selection



Press Set button to confirm the value and access to the next parameter

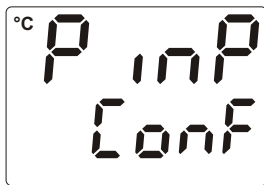


Minimum value for selectable dual point calibration



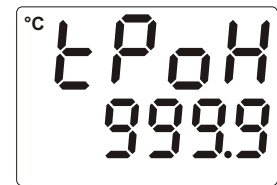
Press Set button to access to the next parameter

**PINP CONF Menu**  
When Menu button is pressed, technician can access to the menu pages

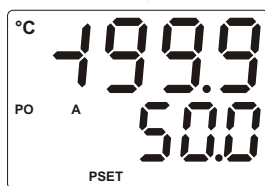


For accessing to the other menus, press menu changing next and back buttons.

Press Menu button to turn to the operation screen



Maximum value for selectable dual point calibration



**Operation Screen**



## 6. Parameters

Parameters are divided into two groups. They are Process / Alarm Set parameters and Technician parameters. Technician parameters are grouped into subgroups according to their functions. The subgroups are named as menu pages.

### 6.1 Process / Alarm SET Parameters

**PSET** Process set value  
**PSET** Process set value can be adjusted from minimum value of set scale **SU-L** to maximum value of set scale **SU-U**

**ALr 1** Set value for alarm output-1  
**ALr 1** Process set value can be adjusted from minimum value of set scale **SU-L** to maximum value of set scale **SU-U**

**ALr 2** Set value for alarm output-2. It is accessible if **oCnF** parameter is **0**  
**ALr 2** Process set value can be adjusted from minimum value of set scale **SU-L** to maximum value of set scale **SU-U**



**For changing Alarm Output-1 and Alarm Output-2 Set values, Alarm Set Values protection parameter **PrEt 1** must be **na**. Please refer to the Section 6.2.8 General Parameters for detailed information about **PrEt 1** parameter**

## 6.2 Technician Parameters

run  
L15t

### 6.2.1 Selection of PID Tune and Operation Form

tunn

#### TUNE SELECTION

By selecting one of the methods below, device can determine the PID parameters.

no

Device operates according to the defined PID parameters

Atun

**Auto tune** (Limit Cycle Tuning) operation

Stun

**Self tune** (Step Response Tuning) operation

AtSt

#### Auto-Self Tune

Self Tune operation is performed, if the conditions are realized when power on firstly. In normal operation, it controls the tune conditions in **Auto Tune** selection which explained below. If any of the conditions is realized, it performs the **Auto Tune** operation.

Attn

#### AUTOMATIC TUNE SELECTION

no

Device does not do **Atun** (Limit Cycle Tuning) operation or while **Atun** operation runs, this selection is adjusted **no** and **Auto Tune** operation is canceled.

YES

If **tunn** parameter is **Atun** or **AtSt**, when the conditions for Auto Tune parameter that are explained in Tune Methods section are realized, it starts to perform Auto Tune (Limit Cycle Tuning) operation.



By pressing AT button, Automatic Tune can be selected **YES** or **no**. For being able to use AT button, AT (Auto Tune) Button protection parameter **PrE3** Must be **no**. (For details, refer to Section 6.2.8 General Parameters)

## TUNE METHODS

There are 2 different methods for determining PID parameters by the device. These are **Auto tune** ( Limit Cycle Tuning) and **Self Tune** (Step Response Tuning) methods.

Determining of PID parameters with **Auto Tune** is started in these conditions :

1- By the user in any time,

2- By the device when system gets unstable and starts oscillation

If process value is out of **Set ± Process value stabilisation**  value (Please refer to Section 6.2.4) and starts to oscillates, then device changes the  Parameter to  and Auto Tune operation is started.

3- After changing set value, if difference between newly defined set value and former set value is greater than proportional band, device will start it.

If set value is changed to a value that is greater than;

$\pm [\text{Scale} * (\text{Heating or Cooling Proportional Band})] / 1000$  value,

Parameter is adjusted  by the device and **Auto Tune** operation is started.

### Example -1 : Starting Auto Tune operation by the user ;

- Enter technician menu.
- Adjust tune selection parameter  in "run List" menu , **Auto Tune**  Or **Auto-Self Tune**
- Adjust automatic tune selection parameter  in "run List" menu  And return to main operation screen.
- Observe that "AT" led is active.

If **Auto Tune** operation finishes without any problem, device saves the PID coefficients to memory and continue to run.  Parameter is adjusted  automatically.

Canceling **Auto Tune** operation:

1- If sensor breaks ;

2- If **Auto Tune** operation can not be completed in 8 hours

3- If user adjusts  parameter  or

4- If user adjusts  parameter

5- If process set value is changed while Tune operation is being performed

6- While Tune operation is being performed, if operation type selection is changed as "Manual" when it is "Automatic" (If operation type selection is changed as "Automatic" when it is "Manual", then Tune operation is started again)

7- If output function is changed while Tune operation is being performed (Heat Cool, Cool Heat)

8- While Tune operation is being performed, if control form is changed as "ON/OFF" when it is "PID" (If control form is changed as "PID" when it is "ON/OFF", the Tune operation is started again)

Auto Tune is canceled. Then, without doing any changes in PID parameters and  Parameter, device continues to run with former PID parameters.



### For Auto Tune ( Limit Cycle Tuning ) operation :

1- Tune selection parameter  in "run List" menu must be selected  **Auto tune** or  **Auto-Self tune** .

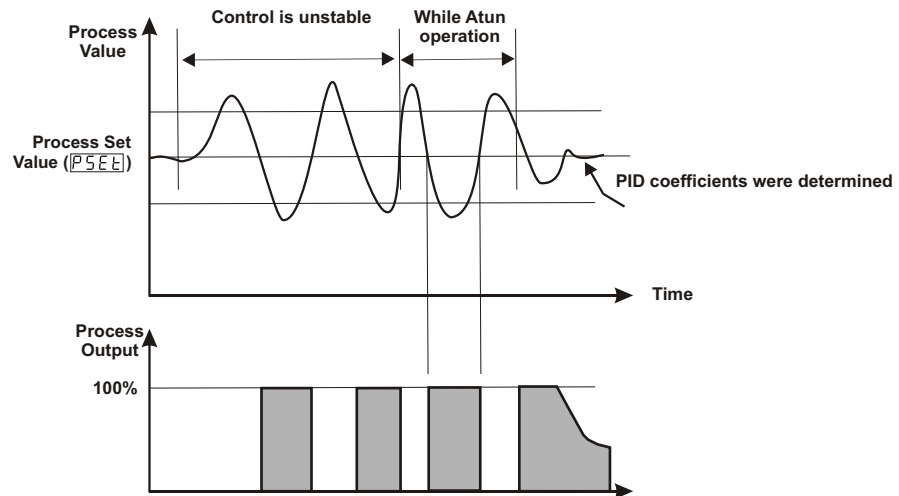
2 - For being started Tune operation (Auto Tune or Self Tune) control form must be P, PI, PD or PID.

3 - If process set value is changed while Tune operation is being performed, Tune operation is canceled.

### **Auto Tune (Limit Cycle Tuning) operation ;**

if heating or heating-cooling function and PID control form is selected, process control output runs according to heating

if cooling function and PID control form is selected, process control output runs according to cooling .



### **Self Tune ( Step Response Tuning ) :**

When power is on, while process value starts to change for being equal to process set value, PID parameters are determined by the device with **Self Tune** method.

For starting **Self Tune ( Step Response Tuning )** operation firstly power off and then apply power to the device. Also difference between process value and set value must be too much.

### **Example 2 : Determination of PID parameters with Self Tune method**

- Enter technician menu
- Select tune selection parameter `tunn` in "run List" menu `Stun` or `AtSt` and turn to operation screen.
- Power off the device.
- Wait system to be in first conditions.  
(For example : Decrease of the temperature to ambient temperature while controlling the temperature)
- Apply power to the device
- See that "AT" led is active

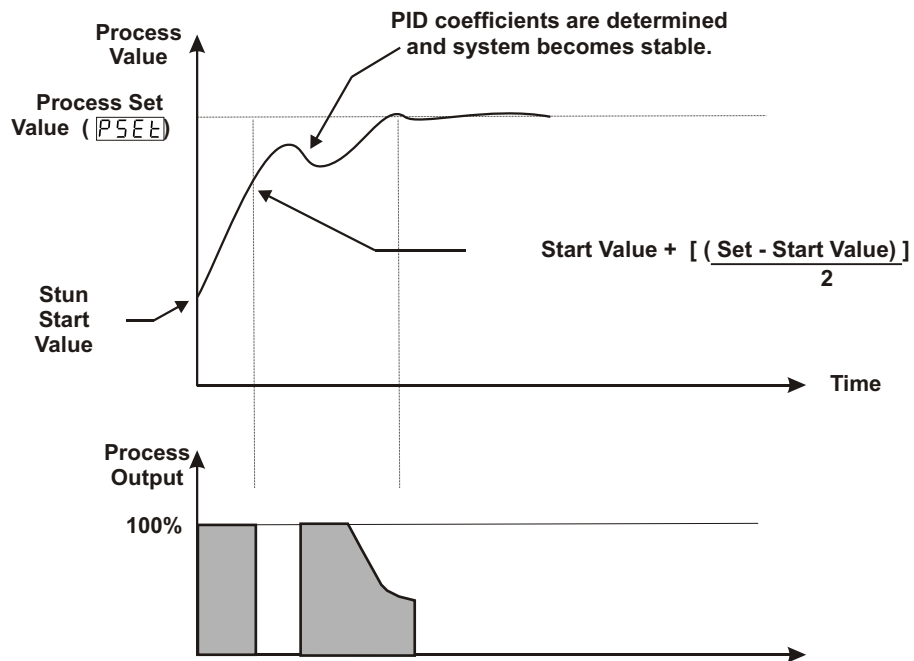
If heating or heating-cooling function and PID control form is selected for the system;

If set value is greater than process value, process output becomes active till to the **Temperature+[(Set - Temperature) / 2]** value. When process value reaches to this value, process output reduces to 0% and it calculates the PID coefficients.

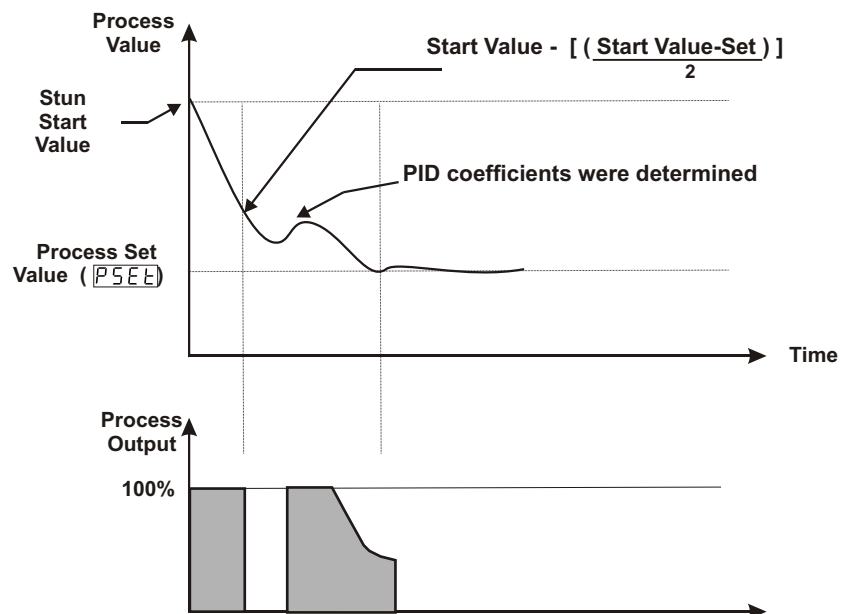


### **For Self Tune ( Step Response Tuning ) operation :**

- 1 - Tune selection parameter `tunn` in "run List" menu must be selected **Self tune** `Stun` Or **Auto-Self Tune** `AtSt`
- 2 - For **Self Tune ( Step Response Tuning )** operation, firstly power off and then apply power to the device.
- 3 - For being started Tune operation (Auto Tune or Self Tune) control form must be P, PI, PD or PID.
- 4 - If process set value is changed while Tune operation is being performed, Tune operation is canceled.



If cooling function and PID control form is selected for the system;  
 If set value is less than process value, process output becomes active till to the **Temperature - [( Temperature-Set) / 2]** value. When process value reaches to this value, process output is reduced to 0% and it calculates PID coefficients.



**For Self Tune ( Step Response Tuning ) operation :**



- 1 - Tune selection parameter `TUNN` in "run List" menu must be selected **Self tune** `SETUN` Or **Auto-Self Tune** `AESET`
- 2 - For **Self Tune ( Step Response Tuning )** operation, firstly power off and then apply power to the device.
- 3 - For being started Tune operation (Auto Tune or Self Tune) control form must be P, PI, PD or PID.
- 4 - If process set value is changed while Tune operation is being performed, Tune operation is canceled.

If **Self Tune** operation is finished without any problem, device saves new PID parameters to memory and runs. It changes `TUNE` parameter.

If `TUNE` parameter is `SETUN` it is changed to `NO`, if it is `RESET`, it is changed to `RETURN`

If **Self Tune** operation is interrupted at half, PID parameters and `TUNE` parameter are not changed, device continues to run with former PID parameters. When power is off and then on, device starts to complete the **Self Tune** operation.

Canceling **Self Tune** operation :

- 1- If sensor breaks ;
- 2- If **Self Tune** operation can not be completed in 8 hours ;
- 3- While heating **Self Tune** operation is running, if process value becomes greater than Set value ;
- 4- While cooling **Self Tune** operation is running, if process value becomes less than Set value ;
- 5- If user selects `TUNE` parameter `NO` or `RETURN`
- 6- If process set value is changed while Tune operation is being performed
- 7- While Tune operation is being performed, if operation type selection is changed as "Manual" when it is "Automatic"
- 8- If output function is changed while Tune operation is being performed (Heat Cool, Cool Heat)
- 9- While Tune operation is being performed, if control form is changed as "ON/OFF" when it is "PID" (If control form is changed as "PID" when it is "ON/OFF", the Tune operation is started again)

**Self Tune** operation is canceled. Then device continues to run with former PID parameters without changing PID parameters.



**For Self Tune ( Step Response Tuning ) operation :**

- 1 - Tune selection parameter `TUNE` in "run List" menu must be selected **Self tune** `SETUN` Or **Auto-Self Tune** `RESET`
- 2 - For **Self Tune ( Step Response Tuning )** operation, firstly power off and then apply power to the device.
- 3 - For being started Tune operation (Auto Tune or Self Tune) control form must be P, PI, PD or PID.
- 4 - If process set value is changed while Tune operation is being performed, Tune operation is canceled.

bPLe

### BUMPLESS TRANSFER

no

Process output value in manual control is not taken into consideration while passing from manual control to automatic control. New control output that is measured in automatic control is applied to process output.

Last %output value is taken output value of manual control and manual control continues while passing from automatic control to manual control.

YES

While passing from manual control to automatic control, last process output value in manual control is accepted as first process output value in automatic control and automatic control continues to run.

Last % process output value in automatic control is accepted as process output value of manual control and manual control continues to run.

LtCC

### ALARM LATCH CANCELING

no

Alarm latch canceling is not performed.

YES

If there is an alarm output with latching and there is no alarm status, latching operation will be finished by the device. When it is finished, this parameter becomes  no Automatically.

d,SP

L,St

## 6.2.2 Function Selection for Top and Bottom Display

tdSP

It defines the function of the top display. This parameter determines which value is shown in top display.

0

Process value (PV) is shown in top display.

1

Difference between process set value and process value (SV-PV) is shown in top display.

bdSP

It defines the function of the bottom display. This parameter determines which value is shown in bottom display.

0

Process set value (SV) is shown in bottom display.

1

%Output value that is applied to process control output is shown in bottom display.

P<sub>inp</sub>

Conf

### 6.2.3 Process Input Type and Relevant Parameters with Process Input

.55L

Defines the process input type.

0

TC input type selection

1

RTD input type selection

2

---Voltage / Current input type selection.

.55L

0

tC5L

Defines type and scale of the thermocouple for TC input. It is active if TC input type is selected.

0

L (-100°C;850°C) or (-148°F;1562°F)

1

L (-100.0°C;850.0°C) or (-148.0°F;999.9°F)

2

J (-200°C;900°C) or (-328°F;1652°F)

3

J (-199.9°C;900.0°C) or (-199.9°F;999.9°F)

4

K (-200°C;1300°C) or (-328°F;2372°F)

5

K (-199.9°C;999.9°C) or (-199.9°F;999.9°F)

6

R (0°C;1700°C) or (32°F;3092°F)

7

R (0.0°C;999.9°C) or (32.0°F;999.9°F)

8

S (0°C;1700°C) or (32°F;3092°F)

9

S (0.0°C;999.9°C) or (32.0°F;999.9°F)

10

T (-200°C;400°C) or (-328°F;752°F)

11

T (-199.9°C;400.0°C) or (-199.9°F;752.0°F)

12

B (44°C;1800°C) or (111°F;3272°F)

13

B (44.0°C;999.9°C) or (111.0°F ; 999.9°F)

14

E (-150°C;700°C) or (-238°F;1292°F)

15

E (-150.0°C;700.0°C) or (-199.9°F;999.9°F)

16

N (-200°C;1300°C) or (-328°F;2372°F)

17

N (-200°C;1300°C) or (-328°F;2372°F)

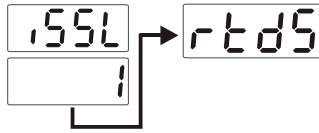
18

C (0°C;2300°C) or (32°F;3261°F)

19

C (0.0°C;999.9°C) or (32.0°F;999.9°F)

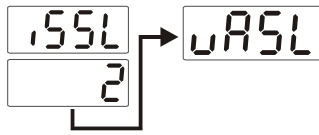




Defines type and scale of sensor for RTD input. It is active if RTD input is selected.

PT-100 (-200°C ; 650°C ) veya (-328°F ; 1202°F)

PT-100 (-199.9°C ; 650.0°C ) veya (-199.9°F ; 999.9°F)



Defines input range and scale of  $\mu$ Voltage / Current input. It is active if  $\mu$ Voltage / Current is selected.

0...50mV  $\mu$  ( -1999 ; 9999 )

0...5V  $\mu$  ( -1999 ; 9999 )

0...10V  $\mu$  ( -1999 ; 9999 )

0...20mA  $\mu$  ( -1999 ; 9999 )

4...20mA  $\mu$  ( -1999 ; 9999 )



Defines point position for displays. It is active if  $\mu$ Voltage / Current input is selected.

No point

Between first and second digits "0.0"

Between second and third digits "0.00"

Between third and fourth digits "0.000"

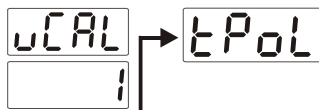


It is active when  $\mu$ Voltage / Current input is selected. It determines calibration type.

Fixed dual point calibration is done. It does not allow to adjust minimum and maximum value of calibration points. It can be adjusted from -1999 to 9999

It allows to do selectable dual point calibration.

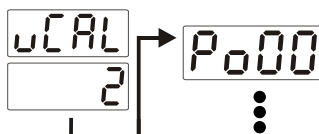
It allows to define 16 calibration points.



It defines minimum value for selectable dual point calibration. It is active if  $\mu$ Voltage / Current input is selected. It can be adjusted from -1999 to 9999.



It defines maximum value for selectable dual point calibration. It is active if  $\mu$ Voltage / Current is selected. It can be adjusted from -1999



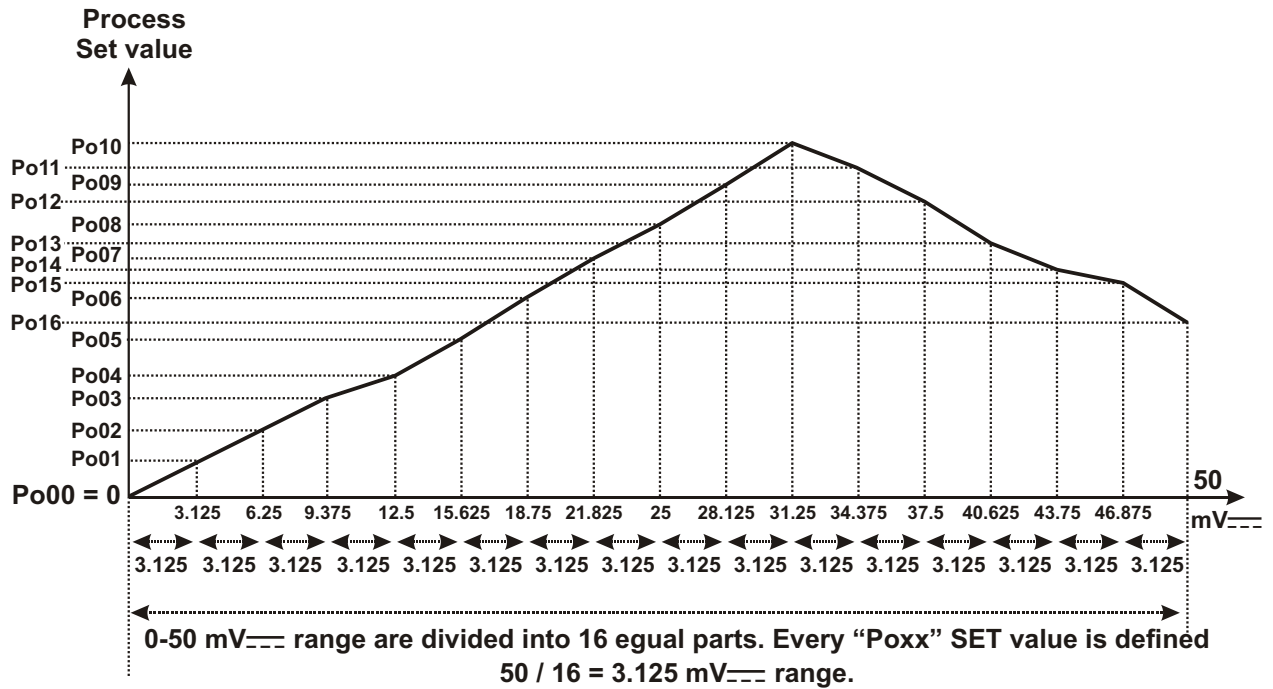
In multi point calibration, calibration points are defined with these parameters.

It is active if  $\mu$ Voltage / Current is selected. It can be adjusted from -1999 to 9999.



In multi point calibration operation, defined scale is divided into 16 calibration points.

**For example :**  is  (0-50 mV $\mu$ ).



→ **COEF** Coefficient value for Voltage / Current input. Process value is multiplied with this value.  
It is active if Voltage / Current input is selected. It can be adjusted from 1.000 to 9.999.

**unit** Unit selection  
 Unit is °C  
 Unit is °F

→  Unit is U. It is active if Voltage / Current input is selected  
 →  No unit. It is active if Voltage / current input is selected

Minimum value of operating scale. It can be changed according to input type and scale of the process.

Maximum value of operating scale. It can be changed according to input type and scale of the process.

Display offset for process value. It can be adjusted -10% to +10% of scale. The defined value is added to process value.

Defines filter time for input signal. It can be adjusted from 0.0 to 900.0.

→ **CJnC** It is active if process input is selected TC input. It decides if cold junction compensation is active or not.  
 Cold junction compensation is active.  
 Cold junction compensation is not active.

Pid

## 6.2.4 PID Configuration Parameters

Conf

If any output is configured as heating PID ;

$P$ ,  $I$ ,  $d$ ,  $Ct$ ,  $oLL$ ,  $oUL$ ,  $oLt$ ,  $Ar$ ,  $SUoF$ ,  $POFS$ ,  $POSS$ ,  $Strn$ ,  $o-db$ ,  $Sbou$  parameters are accessible

If no output is configured as PID ;

Only  $o-db$ ,  $Sbou$  parameters are accessible in PID CONF menu.

### $P$ PROPORTIONAL BAND ( 000.0% , 999.9% )

Full Scale (  $uPL$  -  $LoL$  ) %.

If  $uPL$  = 1000 °C,  $LoL$  = 0 °C and  $P$  = 50.0 then

Proportional Band = (  $uPL$  -  $LoL$  ) \*  $P$  / 100.0

Proportional Band = (1000-0)\*50.0/100.0 = 500 °C

### $I$ INTEGRAL TIME (0000 sec, 3600 secs)

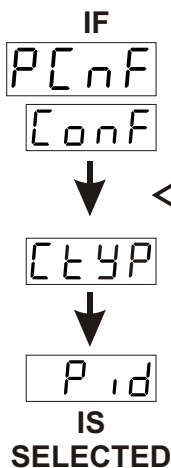
It can be changed by the user. When Tune operation stops, it can be changed by the device. If it is 0, integral control part does not run. When tune operation stops if this parameter is 0, this parameter can not be changed because of integral control part does not run.

### $d$ DERIVATIVE TIME (000.0 sec, 999.9 secs)

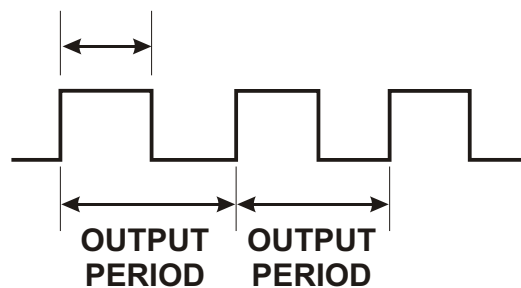
It can be changed by the user. When Tune operation stops, it can be changed by the device. If it is 0, derivative control part does not run. When tune operation stops if this parameter is 0, this parameter can not be changed because of derivative control part does not run.

### $Ct$ CONTROL PERIOD TIME (1 sec, 150 secs)

It is control period



OUTPUT : ON

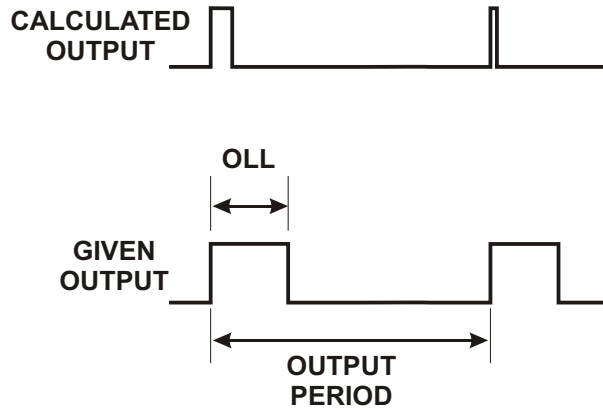


**Relay Output :** Output period must be short for stable process control. Relay must not be used in short output periods because of limited life of their relay contact (number of open/close events). Relay output must be used as control output in values near to 30 seconds or greater than this value.

**SSR Output :** If short output period is needed in a system (approximately 1-2 seconds) SSR driver output as last control element is recommended.

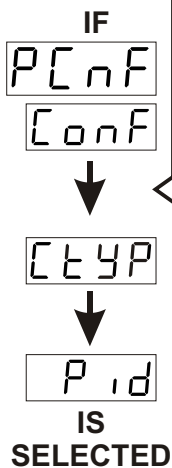
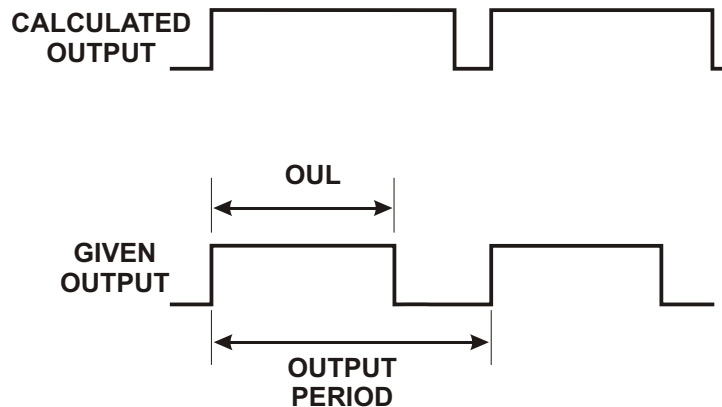
**oLL** MINIMUM CONTROL OUTPUT ( 0.0% , **ouL** )

It is % of minimum output.  
Even as a result of the PID calculation device calculates the %output value less than this parameter, heating or cooling output is active minimum for OLL parameter.



**ouL** MAXIMUM CONTROL OUTPUT ( **oLL** , 100.0%)

It is % of maximum output.  
Even as a result of the PID calculation device calculates the %output value greater than this parameter, heating or cooling output is active maximum for OULH parameter.



**oLt** MINIMUM CONTROL OUTPUT TIME ( 0.0 sec , **ct** )

Heating or cooling output can not be active less than this parameter.  
Even if this parameter is 0, this parameter is accepted 50 msecs for security.

Ar

### ANTI-RESET WINDUP (0, SCALE HIGH POINT)

While PID operation is running if

$PSET - Ar \leq \text{process value} \leq PSET + Ar$  condition is true, integral value is calculated. If the condition is not true, integral value is not calculated and last calculated integral value is used.

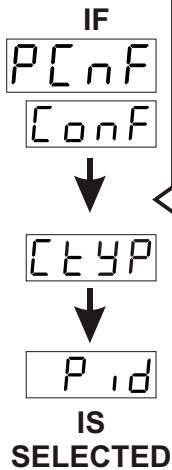
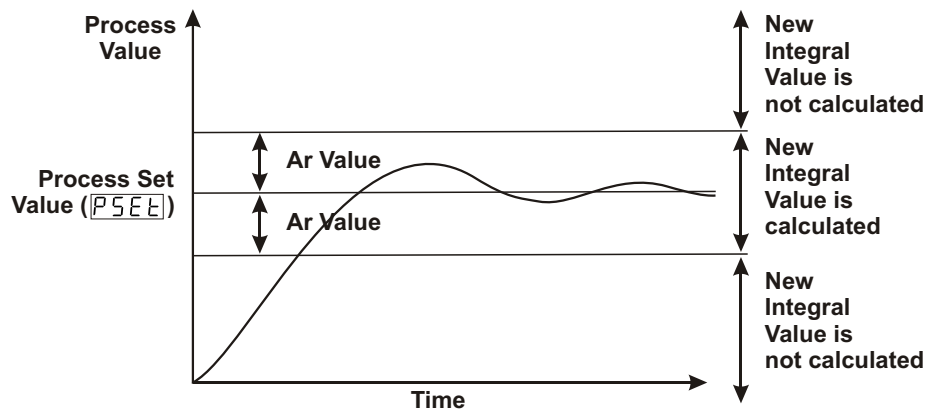
**Scale High Point** : Maximum process input value in Pt-100 and Tc inputs

9999 for fixed dual point calibration used inputs,

Scale high point is the biggest one from  $EPoL$  or  $EPoH$  for selectable dual point calibration used inputs

Scale high point is the biggest one from  $Po00$  or  $Po16$  for multi point calibration used inputs

**Note:** Point position changes according to process input type and scale, unit changes according to the selection in  $unit$  parameter.



SUoF

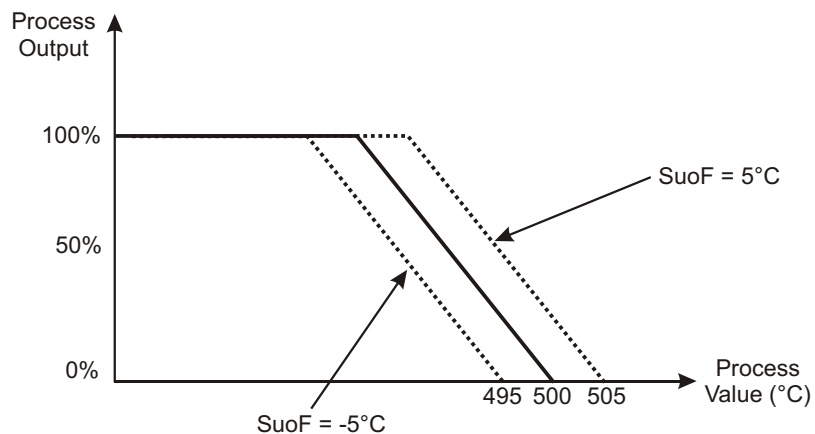
### SET VALUE OFFSET

$(( -SCALE\ HIGH\ POINT / 2 ), ( SCALE\ HIGH\ POINT / 2 ))$

$PSET + SUoF$  Is used as set value in PID calculations. It is used for shifting the proportional band.

**Example:** If  $PSET = 500^{\circ}C$ ,  $SUoF = 5^{\circ}C$  or  $SUoF = -5^{\circ}C$ , shifting of the proportional band is shown below :

**Note:** Point position changes according to process input type and scale, unit changes according to the selection in  $unit$  parameter.

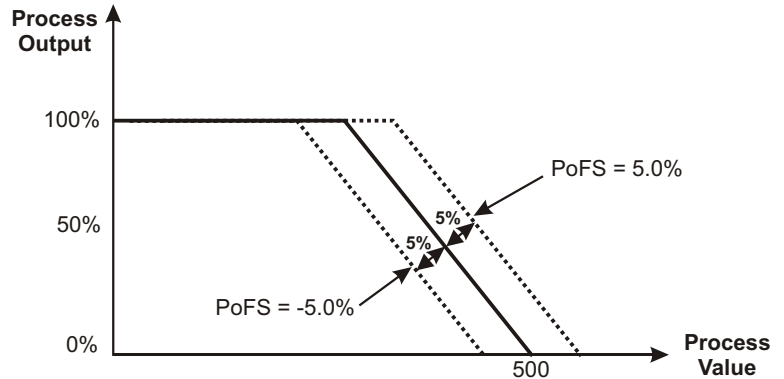


PoFS

### PID OUTPUT OFFSET

(FOR HEATING PID 0.0%, 100.0%)  
(FOR COOLING PID -100.0%, 0.0%)

This parameter is added to "Output %" which is calculated at the end of the PID.



PoSS

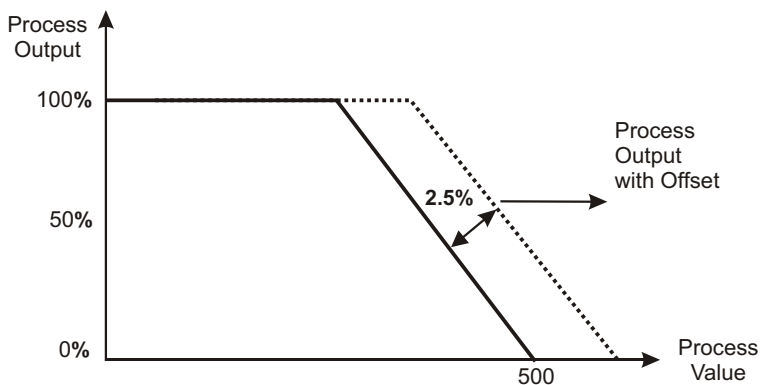
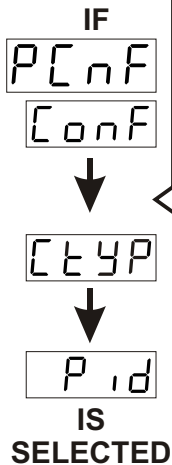
### OUTPUT OFFSET RELATED TO PID SET

(FOR HEATING PID 0.0%, 100.0%)  
(FOR COOLING PID -100.0%, 0.0%)

This parameter is added to the %process output that is calculated at the end of the PID according to process set value.

$$PoSS * PSet / (uPL - LoL)$$

**Example** If  $PSet = 500^{\circ}C$ ,  $uPL = 1000^{\circ}C$ ,  $LoL = 0$ ,  $PoSS = 5.0\%$  then  $PoSS * PSet / (uPL - LoL) = 5.0 * 500 / (1000 - 0) = 2.5\%$  2.5% is added to calculated process value.



Strn

### PROCESS VALUE STABILIZATION (1, SCALE HIGH POINT)

It is used for controlling if process value oscillates or not when  $\text{tunn}$  Parameter is  $\text{Retun}$  or  $\text{Retst}$

If;

$\text{PSET} - \text{Strn} \leq \text{Process Value} \leq \text{PSET} + \text{Strn}$  condition is not true and process value starts to oscillate (as shown in the diagram). If  $\text{tunn}$  parameter is  $\text{Retun}$  or  $\text{Retst}$ , then  $\text{Reten}$  parameter is selected  $\text{YES}$  And then Limit Cycle Tune operation starts for determining new PID parameters.

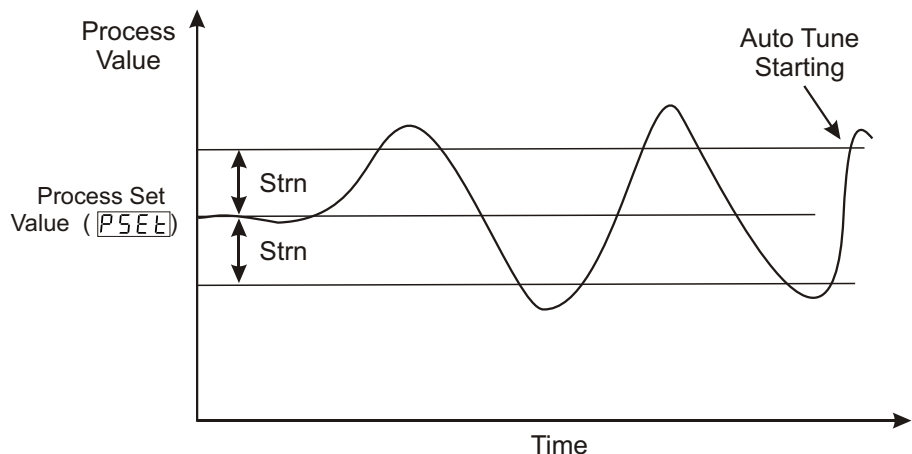
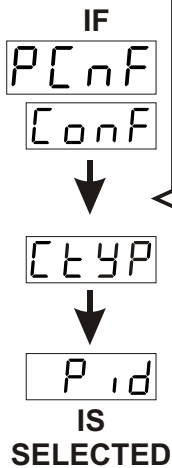
**Scale High Point** : Maximum process input value in Pt-100 and Tc inputs

9999 for fixed dual point calibration used inputs,

Scale high point is the biggest one from  $\text{EPoL}$  or  $\text{EPoH}$  for selectable dual point calibration used inputs

Scale high point is the biggest one from  $\text{Po00}$  or  $\text{Po16}$  for multi point calibration used inputs

**Note:** Point position changes according to process input type and scale, unit changes according to the selection in  $\text{unit}$  parameter.



o-db

### PROPORTIONAL BAND SHIFTING

((- SCALE HIGH POINT / 2), (SCALE LOW POINT / 2))

If heating-cooling or only cooling function is performed ;

Cooling process set value is calculated by adding set value  $\text{PSET}$  with parameter  $\text{o-db}$

Control form can be ON/OFF or PID.

If set value for heating =  $\text{PSET} + \text{SUoF}$ ;

Then set value for cooling =  $\text{PSET} + \text{SUoF} + \text{o-db}$

**Scale High Point** : Maximum process input value in Pt-100 and Tc inputs

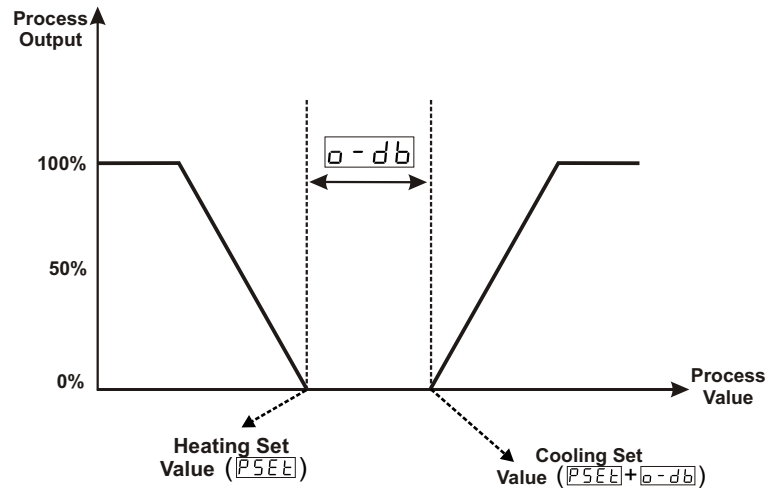
9999 for fixed dual point calibration used inputs,

Scale high point is the biggest one from  $\text{EPoL}$  or  $\text{EPoH}$  for selectable dual point calibration used inputs

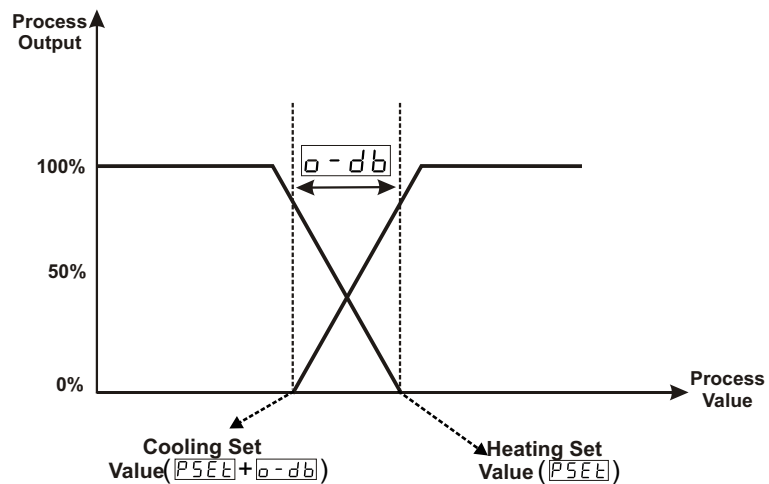
Scale high point is the biggest one from  $\text{Po00}$  or  $\text{Po16}$  for multi point calibration used inputs

**Note:** Point position changes according to process input type and scale, unit changes according to the selection in  $\text{unit}$  parameter.

If  $o-db > 0$  (Dead Band)



If  $o-db < 0$  (Overlap Band)



**5600** **SENSOR BREAK OUTPUT VALUE**  
(FOR HEATING PID 0.0%, 100.0%)  
(FOR COOLING PID -100.0%, 0.0%)

When sensor breaks, controlling of the process can continue by entering %output value to 5600 parameter.

If this parameter 0.0, process control output does not perform an output when sensor breaks.

**55Et** **Soft Start Set value**

It can be adjusted from 0 to 9999 with increment and decrement buttons. When the device power on, if the Soft start set value different from "0", and temperature value is lower than soft start value on heating processes, device starts soft start operation, until temperature reaches soft start set value. On soft start device output period is SSCT parameter value and device control output is SSCo parameter value.

**55Co** **Soft Start Control Output**

It can be adjusted from 10% to 90% with increment and decrement buttons.

**55Ct** **Soft Start Control Period**

It can be adjusted from 0 to 100 sec with increment and decrement buttons.



PCnF

## 6.2.5 Process Output Configuration Parameters

Conf

oCnF

It determines if Process Output ( SSR Driver Output ) and Alarm Output-2 operates together or not.

0

Process Output (SSR Driver Output) and Alarm Output-2 operates separately.

1

Process Output (SSR Driver Output) and Alarm Output-2 operates together. Alarm functions of Alarm Output-2 can not be used

oFnC

It determines output functions of Process Outputs

HEAT Heating

COOL Cooling

CtYP

It determines control algorithms of Process Outputs

ONOFF ON/OFF control algorithm

PID PID control algorithm

CtYP

HYS

Hysteresis value of Process Outputs. It can be adjusted from 0% to 50% of full scale. ( It is active if ON/OFF control is selected )

ONOFF

HYN

It determines operation form of hysteresis ( It is active if ON/OFF control is selected)

0 SV + HYS/2 and SV - HYS/2

1 SV and SV + HYS or SV and SV - HYS

OFFT

In ON/OFF operation, this time must be passed for the output to be energised again. It can be adjusted from 0.0 to 100.0 seconds. ( It is active if ON/OFF control is selected)

## 6.2.6 ALARM Output-1 Configuration Parameters

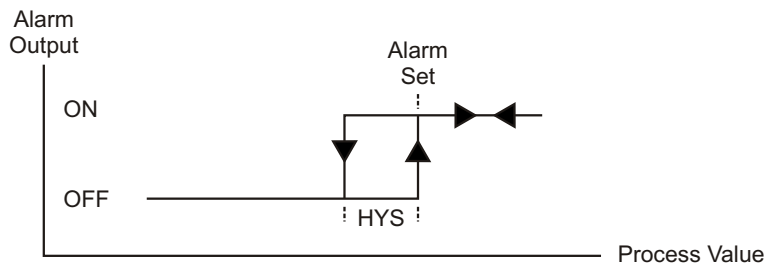
**Low1** It determines logic output function for Alarm Output-1

- 0 Alarm output
- 1 Manual / Automatic data output
- 2 Sensor break alarm output
- 3 Output is active when the process value is out of the band which is defined with minimum value of operating scale  **LoL** And maximum value of operating scale  **uPL**

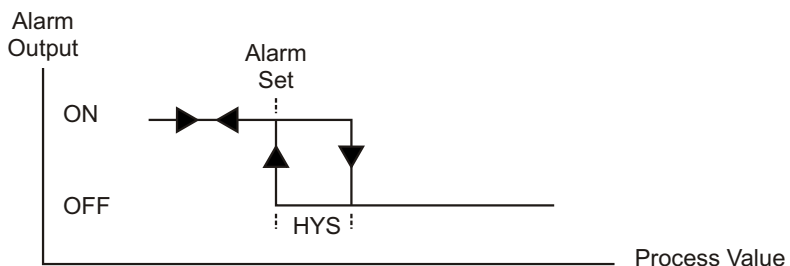
**Low1** → **ALt1** It determines alarm type for Output-1. It is active if logic output function of Alarm Output-1 is alarm output.

- 0 Process high alarm
- 1 Process low alarm
- 2 Deviation high alarm
- 3 Deviation low alarm
- 4 Deviation band alarm
- 5 Deviation range alarm

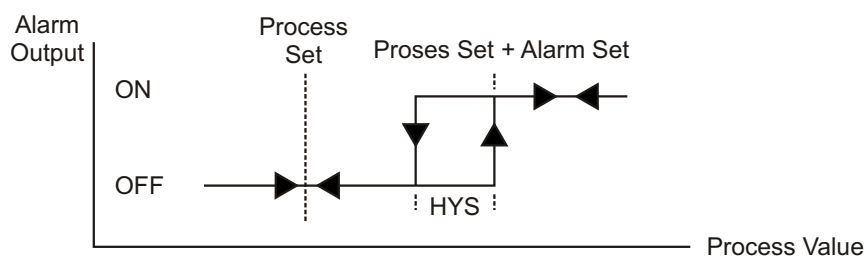
### Process high alarm



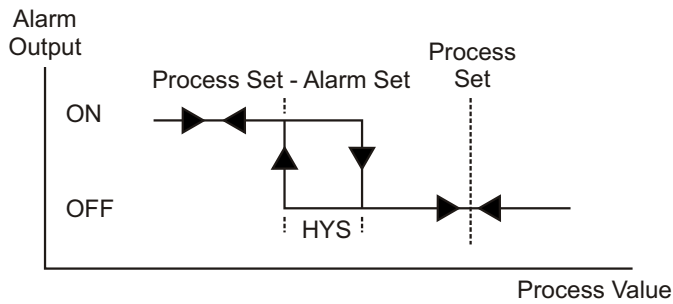
### Process low alarm



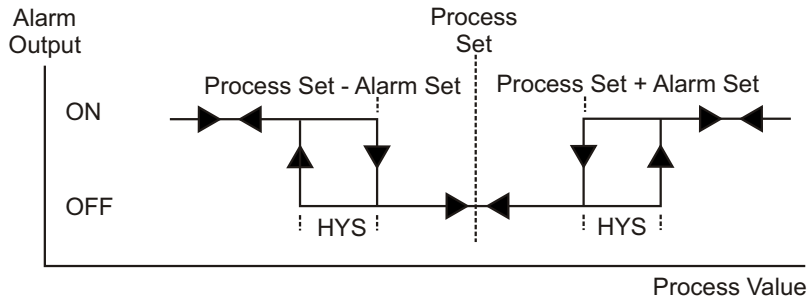
### Deviation high alarm



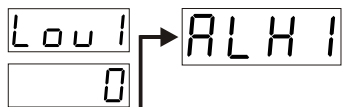
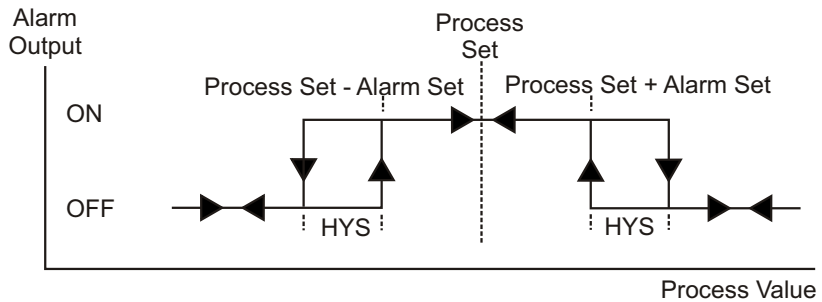
### Deviation low alarm



### Deviation band alarm



### Deviation range alarm



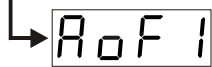
Alarm- 1 hysteresis value.

it can be adjusted from 0% to 50% of process input scale

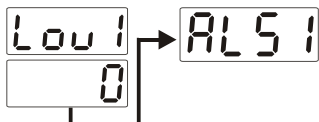
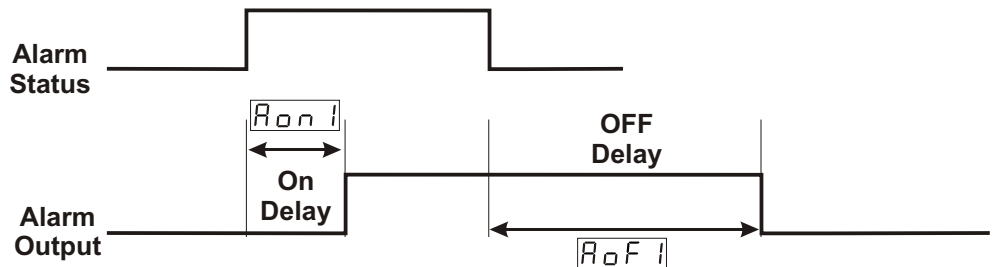
( $\frac{UPL - LLL}{LPL - LLL}$ ) It is active if logic output function of Alarm Output-1 is alarm output.



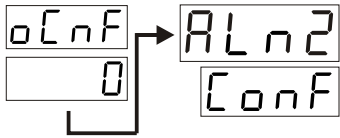
Alarm on delay time for Alarm Output-1. It can be adjusted from 0000 to 9999 seconds. It is active if logic output function of Alarm Output-1 is alarm output.



Alarm off delay time for Alarm Output-1. It can be adjusted from 0000 to 9998 seconds. When the value is greater than 9998, **LECH** is seen on the screen. It means alarm latching output is selected. It is active if logic output function of Alarm Output-1 is alarm output.



Alarm stabilisation time for Alarm Output-1. It can be adjusted from 0 to 99 second. It is active if logic output function of Alarm Output-1 is alarm output. After the unit is power-on and Alarm Stabilisation Time is expired, if an alarm condition which is selected with Alt1 is present, then Alarm output-1 becomes active.



## 6.2.7 ALARM Output-2 Configuration Parameters



“Aln2 Conf” Menu is accessible if  parameter in “PCnF Conf” is

It determines logic output function for Alarm Output-2

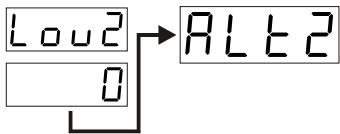
Alarm output

Manual / Automatic data output

Sensor break alarm output

Output is active when the process value is out of the band which is defined with minimum value of operating scale

And maximum value of operating scale



It determines alarm type for Output-2. It is active if logic output function of Alarm Output-2 is alarm output.

Process high alarm

Process low alarm

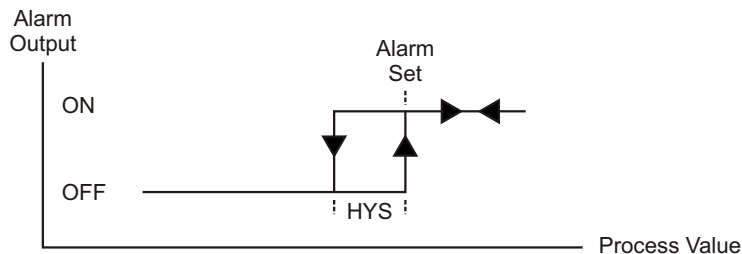
Deviation high alarm

Deviation low alarm

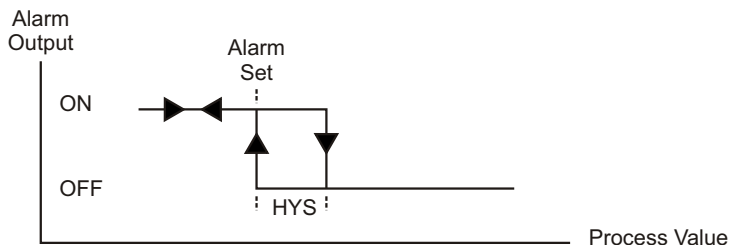
Deviation band alarm

Deviation range alarm

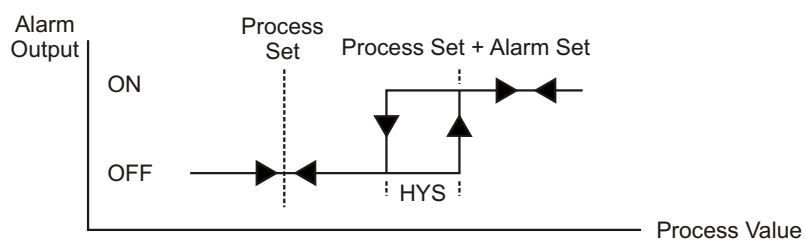
### Process high alarm



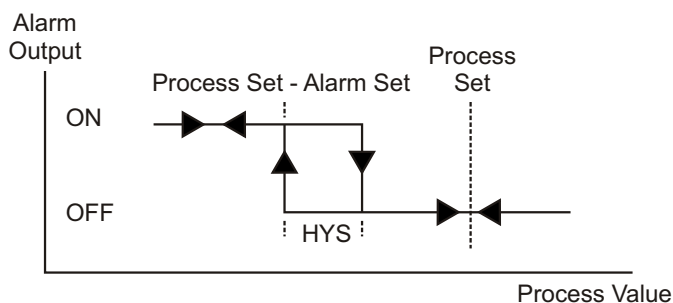
### Process low alarm



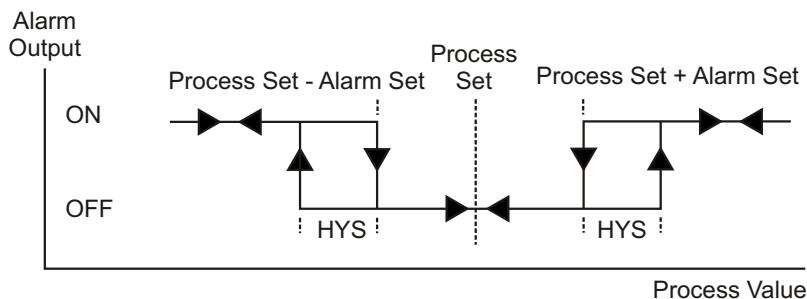
### Deviation high alarm



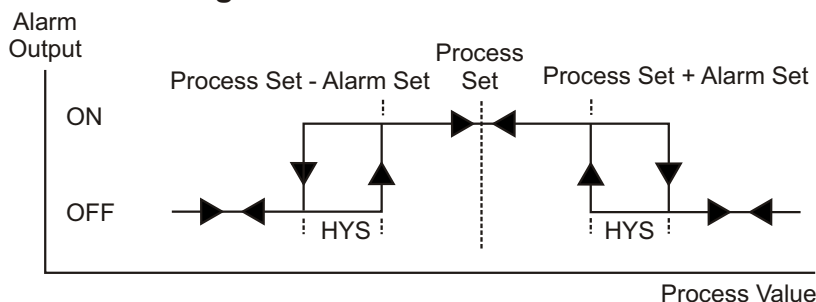
### Deviation low alarm



### Deviation band alarm



### Deviation range alarm



Low2  
0

ALH2

Alarm-2 hysteresis value.

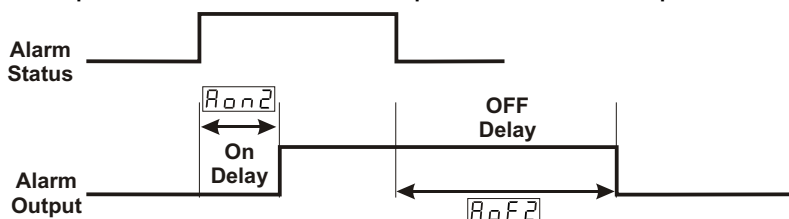
it can be adjusted from 0% to 50% of process input scale (  $\frac{uPL - LoL}{}$  ) It is active if logic output function of Alarm Output-2 is alarm output.

RoN2

Alarm on delay time for Alarm Output-2. It can be adjusted from 0 to 9999 seconds. It is active if logic output function of Alarm Output-2 is alarm output.

RoF2

Alarm off delay time for Alarm Output-2. It can be adjusted from 0000 to 9998 seconds. When the value is greater than 9998, **LECH** is seen on the screen. It means alarm latching output is selected. It is active if logic output function of Alarm Output-2 is alarm output.



Low2  
0

ALS2

Alarm stabilisation time for Alarm Output-2. It can be adjusted from 0 to 99 second. It is active if logic output function of Alarm Output-2 is alarm output. After the unit is power-on and Alarm Stabilisation Time is expired, if an alarm condition which is selected with Alt2 is present, then Alarm output-2 becomes active.



“Aln2 Conf” Menu is accessible if **oCnF** parameter in “PCnF Conf” is

**SU-L** Minimum value for process set and alarm set values. It is named as low limit of set scale.

It can be adjusted from low limit of input selected with **ISSL** parameter to **SU-U** parameter.

Please refer to Section 6.2.3 Process Input Type and Relevant Parameters with Process Input for **ISSL** parameter

**SU-U** Maximum value for process set and alarm set values. It is named as high limit of set scale.

It can be adjusted from **SU-L** to high limit of input selected with **ISSL** Parameter.

Please refer to Section 6.2.3 Process Input Type and Relevant Parameters with Process Input for **ISSL** parameter

**PrL1** **Alarm Set Values Protection**

**no** Alarm Set values can be changed

**YES** Alarm Set values can not be changed. Alarm set values parameters, **ALr1** and **ALr2** , are not accessible

**PrL2** **AUTO / MANUAL Selection Button Protection**

**no** Auto or Manual selection is possible with A/M button in Main Operation screen

**YES** Auto or Manual selection is not possible with A/M button in Main Operation screen

**PrL3** **AT (AUTO TUNE) Button Protection**

**no** Limit Cycle Tuning operation can be active or inactive with AT (Auto Tune) Button in Main Operation screen

**YES** Limit Cycle Tuning operation can not be active or inactive with AT (Auto Tune) Button in Main Operation screen

PASS  
CONF

## 6.2.9 Technician Password

TEPS

It is used for accessing to the technician parameters.  
It can be adjusted from 0 to 9999.

If it is  ; there is no password protection while entering to the technician parameters.

**If it is different from “ 0” and user wants to access to the technician parameters;**

**1-** If technician does not enter  password correctly:

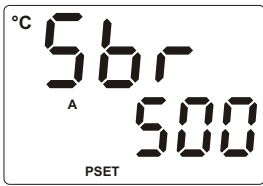
It turns to operation screen without entering to operator parameters.

**2-** When  in top display and  in bottom display, if technician presses SET button without entering  password (For observing parameter)

Technician can see all menus and parameters except Technician Password menu (“Pass Conf”), but parameters can not be changed.

( Please refer to Section 7. Failure Messages (4) in ESM-9430 Process Controllers )

## 7. Failure Messages in ESM-9430 Process Controllers



1 - Sensor failure in analogue inputs. Sensor connection is wrong or there is no sensor connection.



2 - If value on top display blinks : If analogue input value is less than minimum value of operating scale  value on the top display starts to blink.

In "PinP Conf" Menu if;

=  ;  =  ;  =  ;  
 =  ;  =  are defined.

Adjust

If analogue input value is less than minimum value of operating scale  Value on the top display starts to blink.



Please refer to Section 6.2.3 for detailed information about this parameter.



3 - If value on top display blinks : If analogue input value is greater than maximum value of operating scale  top display starts to blink.

In "PinP Conf" Menu if;

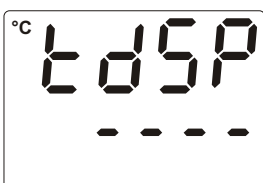
=  ;  =  ;  =  ;  
 =  ;  =  are defined

Adjust

If analogue input value is greater than maximum value of operating scale  value on the top display starts to blink.



Please refer to Section 6.2.3 for detailed information about this parameter.



4 - If technician password is different from "0" and technician accesses to the parameters by Set button without entering the technician password and wants to change a parameter, device does not allow to do any changes in parameters. If increment or decrement button is pressed, a warning message will appear on the bottom display as shown on the left.

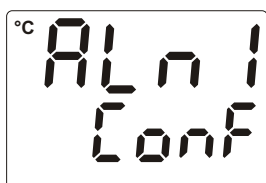




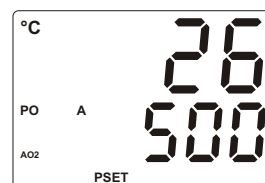
5 - If tuning operation can not be completed in 8 hours, AT led starts to blink. Blinking can be canceled by pressing Enter button.



For details on parameters, refer to Section 6.2.1



6 - If user does not do anything for 120 seconds while device is on technician menus, device turns to operation screen.



## 8. Specifications

<b>Device Type</b>	: Process Controller
<b>Housing&amp;Mounting</b>	: 48mm x 96mm x 86.5mm 1/8 DIN 43700 plastic housing for panel mounting. Panel cut-out is 46x92mm.
<b>Protection Class</b>	: NEMA 4X (IP65 at front, IP20 at rear).
<b>Weight</b>	: Approximately 0.21 Kg.
<b>Environmental Ratings</b>	: Standard, indoor at an altitude of less than 2000 meters with none condensing humidity.
<b>Storage/Operating Temperature</b>	: -40 °C to +85 °C / 0 °C to +50 °C
<b>Storage/Operating Humidity</b>	: 90 % max. (None condensing)
<b>Installation</b>	: Fixed installation
<b>Over Voltage Category</b>	: II
<b>Pollution Degree</b>	: II, office or workplace, none conductive pollution
<b>Operating Conditions</b>	: Continuous
<b>Supply Voltage and Power</b>	: 100 - 240 V $\sim$ (-15% / +10%) 50/60 Hz 6VA 24 V $\sim$ (-15% / +10%) 50/60 Hz 6VA 24 V $\equiv$ (-15% / +10%) 6W
<b>Process Inputs</b>	: Universal input TC, RTD, $\equiv$ Voltage/Current
<b>Thermocouple Input Types</b>	: Selectable by parameters L (DIN43710) , J ,K ,R ,S ,T ,B ,E ,N (IEC584.1)(ITS90) , C (ITS90)
<b>Thermoresistance Input Types</b>	: PT 100 (IEC751) (ITS90)
<b><math>\equiv</math> Voltage Input Types</b>	: Selectable by parameters 0..50mV $\equiv$ , 0..5V $\equiv$ , 0..10V $\equiv$
<b><math>\equiv</math> Current Input Types</b>	: Selectable by parameters 0...20mA $\equiv$ , 4...20mA $\equiv$

<b>Accuracy</b>	: $\pm 0,25\%$ of full scale for thermocouple, thermoresistance and voltage, $\pm 0,70\%$ of full scale for current.
<b>Cold Junction Compensation</b>	: Automatically $\pm 0.1^{\circ}\text{C}/1^{\circ}\text{C}$ .
<b>Line Compensation</b>	: Maximum 10 .
<b>Sensor Break Protection</b>	: Upscale
<b>Sampling Cycle</b>	: 3 samples per second
<b>Input Filter</b>	: 0.0 to 900.0 seconds
<b>Control Forms</b>	: Programmable ON / OFF, P, PI, PD or PID.
<b>Relay Outputs</b>	: 2 pieces $5\text{A}@250\text{V}\sim$ (at resistive load) (Programmable control or alarm output) (Electrical Life :100000 operation (Full Load))
<b>Standard SSR Driver Output</b>	: Max. 17mA, Max. 25V $\text{---}$
<b>Process Display</b>	: 10 mm Red 4 digit LED display
<b>Set Display</b>	: 8 mm Green 4 digit LED display
<b>Led Indicators</b>	: AT (Auto Tune), M (Manual Mode), A (Automatic Mode), PSET ( Process Set value), ASET1 (Alarm-1Set value), ASET2 (Alarm-2 Set value), PO ( Process Output ) , AO1 ( Alarm Output-1 ) , AO2 ( Alarm Output-2) $^{\circ}\text{C} / ^{\circ}\text{F} /$ V unit leds
<b>Approvals</b>	: UL Recognized Component (File No : E 254103), GOST-R, C E

## 9. Other Informations

### Manufacturer Information:

Emko Elektronik Sanayi ve Ticaret A.Ş.  
Demirtaş Organize Sanayi Bölgesi Karanfil Sk. No:6 16369  
BURSA/TURKEY

Phone : +90 224 261 1900  
Fax : +90 224 261 1912

### Repair and Maintenance Service Information:

Emko Elektronik Sanayi ve Ticaret A.Ş.  
Demirtaş Organize Sanayi Bölgesi Karanfil Sk. No:6 16369  
BURSA/TURKEY

Phone : +90 224 261 1900  
Fax : +90 224 261 1912



*Thank you very much for your preference to use Emko Elektronik Products.*

[www.emkoelektronik.com.tr](http://www.emkoelektronik.com.tr)