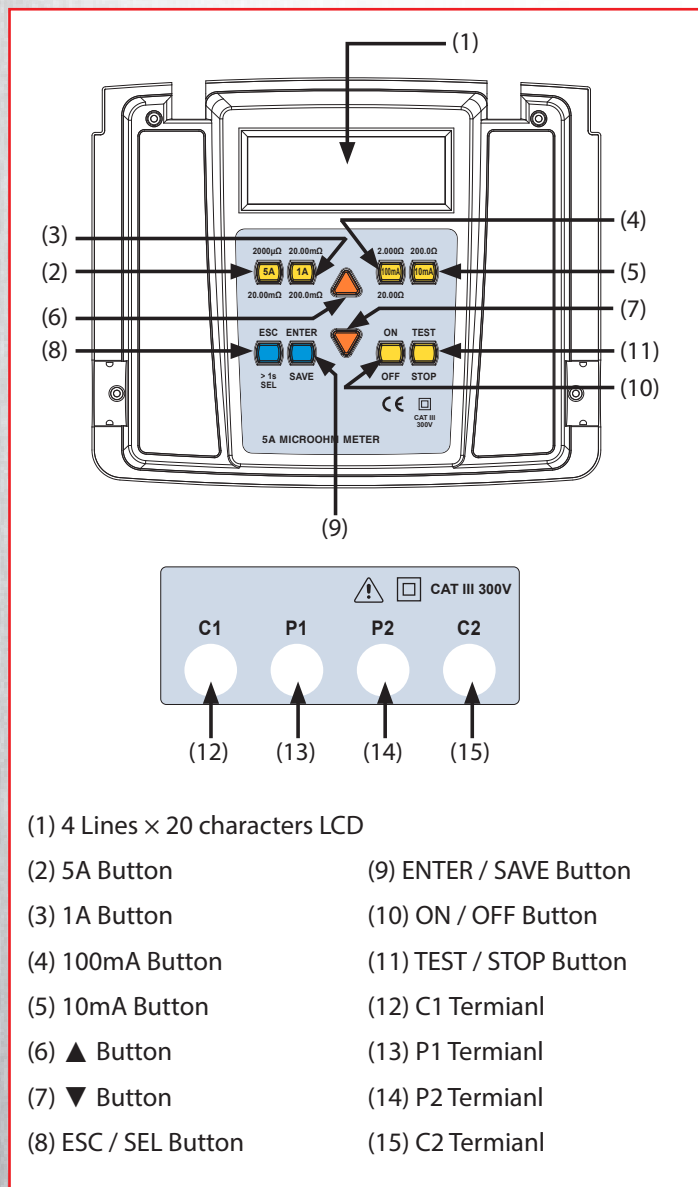


5A MICROOHM METER



- Maximum testing current of 5A
- Ranges:
 - 2000 $\mu\Omega$ / 20.00m Ω 5A
 - 20.00m Ω / 200.0m Ω 1A
 - 2.000 Ω / 20.00 Ω 100mA
 - 200.0 Ω 10mA
- Maximum resolution of 1 $\mu\Omega$ at 5A
- Four terminal measurement
- 4 Lines \times 20 Characters LCD
- Memory function (200 measurement results)
- Auto power off
- Low battery indication
- Power source: 1.5V "C" alkaline battery \times 8
- Safety Standard: IEC/EN 61010-1 CAT III 300V EN 61326-1

INSTRUMENT LAYOUT



SPECIFICATIONS

4-wire method measurement

Measuring ranges / resolution	2000μΩ / 1μΩ
	20.00mΩ / 0.01mΩ
	200.0mΩ / 0.1mΩ
	2.000Ω / 1mΩ
	20.00Ω / 0.01Ω
Accuracy	±(1% + 4 dgt)
Testing current	5A: 2000μΩ / 20.00mΩ
	1A: 20.00mΩ / 200.0mΩ
	100mA: 2.000Ω / 20.00Ω
	10mA: 200.0Ω

General

Operating temperature	0~40°C
Operating humidity	80% RH
Dimensions	322(L) × 260(W) × 135(D)mm
Weight (battery included)	Approx. 3328 g
Power source	1.5V "C" alkaline battery × 8
Safety standard	IEC/EN 61010-1 CAT III 300V EN 61326-1
Accessories	Instruction manual Test leads Shoulder belt Alkaline batteries

