

# CURRENT TRANSFORMERS

## SF 62/30

For currents from 100A to 800A.

Type: ring/busbar

Standards: acc. to BS 3938, EN 60044-1.

### Technical data:

**Class of accuracy:** 0.2S...0,5S (see table).

**Rated burden:** max. 10 VA (see table).

**Rated voltage:** 720 V.

**Rated frequency:** 50-60 Hz.

**Rated sec. current:** 5 A

**Security factor:** **FS 5** FS10

**Working temperature range:** -20 ... +45°C.

**High voltage test:** 4 kV<sub>eff</sub>, 50 Hz, 1 min.

**Insulation class:** E (max. 120°C)

**Protection:** IP 00.

**Case:** non-flammable plastic, UL 94 V-0.



Rated primary current $I_n$	Acc. cl.	Type: SF 62 / 30					
		Busbar hole 31x11 mm (see fig.)					
		Rated burden (VA)					
		1	1.5	2.5	3.75	5	7.5
100 A	0,2S	*					
	0,5S	*					
125 A	0,2S	*					
	0,5S		*				
150 A	0,2S		*				
	0,5S		*				
200 A	0,2S		*				
	0,5S		*				
250 A	0,2S		*	*			
	0,5S		*	*			

\* Ni-Fe + Si-Fe

Rated primary current $I_n$	Acc. cl.	Type: SF 62 / 30						
		Busbar hole 31x11 mm (see fig.)						
		Rated burden (VA)						
		1,5	2,5	3,75	5	7,5	10	15
300 A	0,2S	*						
	0,5S	+	*					
400 A	0,2S		*					
	0,5S		+					
500 A	0,2S		+	+				
	0,5S		+	+				
600 A	0,2S		+	+				
	0,5S		+	+				
750 A	0,2S		+		+			
	0,5S				+	+		
800 A	0,2S				+			
	0,5S				+		+	

Dimension in mm

### Order specification:

-Ring-type current transformer.

-Class of accuracy: 0.5S

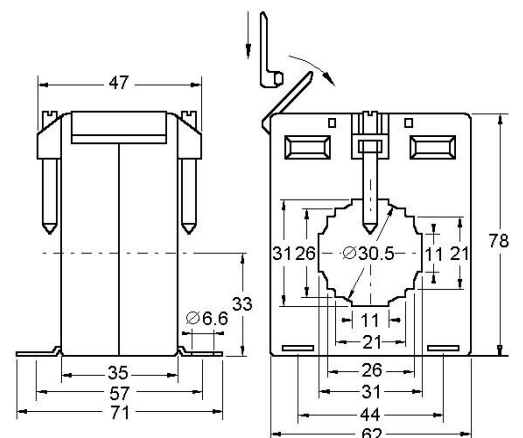
-Rated primary current: 300 A.

-Rated secondary current: 5 A

-Rated burden: 2,5 VA

-Busbar dimension: 30x10 mm.

SF 62/30	300/5A	Cl. 0,5S	2,5VA
----------	--------	----------	-------



Weight: 200...380gr

# CURRENT TRANSFORMERS

## SF 62/40

For currents from 200A to 750A.

Type: ring / busbar

Standards: acc. to BS 3938, EN 60044-1.

### Technical data:

**Class of accuracy:** 0.2S ... 0.5S (see table).

**Rated burden:** max. 5 VA (see table).

**Rated voltage:** 720 V.

**Rated frequency:** 50-60 Hz.

**Rated sec. current:** 5 A

**Security factor:** **FS 5**

**Working temperature range:** -20 ... +45°C.

**High voltage test:** 4 kV<sub>eff</sub>, 50 Hz, 1 min.

**Insulation class:** E (max. 120°C)

**Protection:** IP 00.

**Case:** non-flammable plastic, UL 94 V-0.



Rated primary current $I_n$	Acc. cl.	Type: SF 62 / 40				
		Busbar hole 40,5x11 mm (see fig.)				
		Rated burden (VA)				
		1	1,5	2,5	3,75	5
200 A	0,2S	*				
	0,5S		*			
250 A	0,2S	*				
	0,5S		*			
300 A	0,2S		*			
	0,5S		+	*		
400 A	0,2S	+		*		
	0,5S				+	

Rated primary current $I_n$	Acc. cl.	Type: SF 62 / 40					
		Busbar hole 40,5x11 mm					
		Rated burden (VA)					
		1,5	2,5	3,75	5	7,5	10
500 A	0,2S		+				
	0,5S		+	+			
600 A	0,2S		+	+			
	0,5S		+		+		
750 A	0,2S		+		+		
	0,5S		+		+		

\* Ni-Fe + Si-Fe

### Order specification:

-Ring-type current transformer.

-Class of accuracy: 0.2S

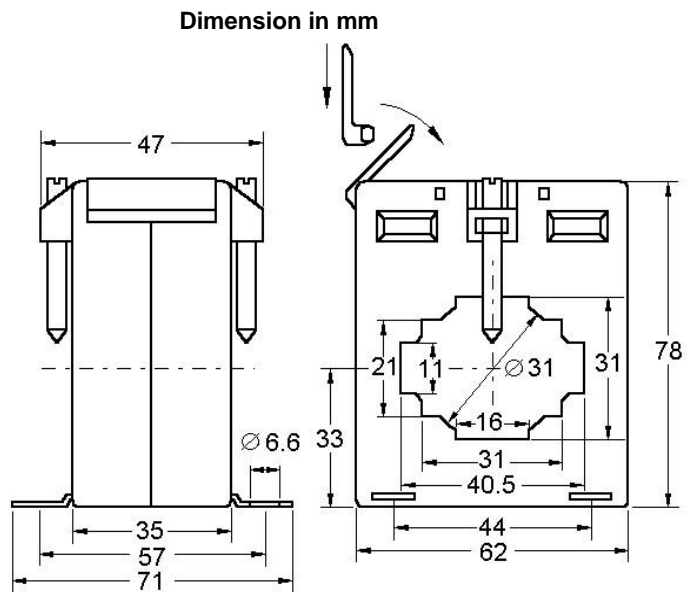
-Rated primary current: 600 A.

-Rated secondary current: 5 A

-Rated burden: 3,75 VA

-Busbar dimension: 40x10 mm.

**SF 62/40    600/5A    Cl. 0,2S    3,75VA**



Weight: 180...250gr

# CURRENT TRANSFORMERS

## SF 74/40

For currents from 200A to 1000A

Type: ring / busbar

Standards: acc. to BS 3938, EN 60044-1

### Technical data:

**Class of accuracy:** 0.2S 0,5S (see table).  
**Rated burden:** max. 15 VA (see table).  
**Rated voltage:** 720 V.  
**Rated frequency:** 50-60 Hz.  
**Rated sec. current:** 5 A.  
**Security factor:** FS 5 FS10  
**Working temperature range:** -20 ... +45°C.  
**High voltage test:** 4 kV<sub>eff</sub>, 50 Hz, 1 min.  
**Insulation class:** E (max. 120°C)  
**Protection:** IP 00.  
**Case:** non-flammable plastic, UL 94 V-0.



Rated primary current $I_n$	Acc. cl.	Type: SF 74/40				
		Busbar hole 41x12,5 mm				
		Rated burden (VA)				
		1	1,5	2,5	3,75	5
200 A	0,2S		*	*		
	0,5S		*	*		
250 A	0,2S			*		
	0,5S		*	*		
300 A	0,2S		*	*		
	0,5S		+	*		
400 A	0,2S	+		*		
	0,5S			+	*	

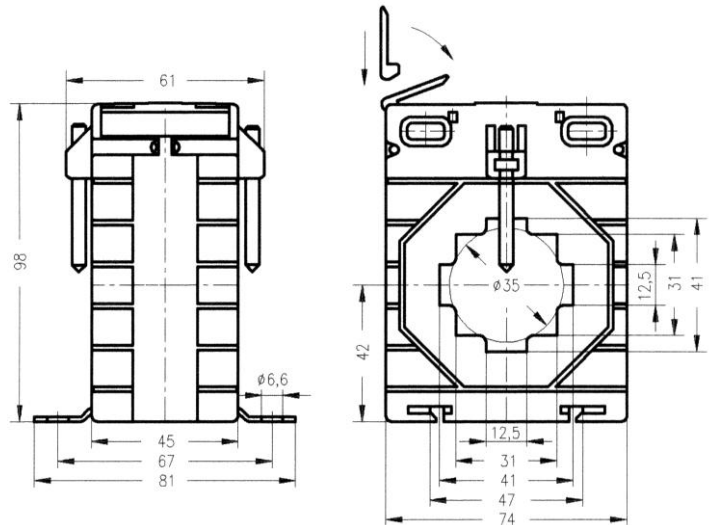
Rated primary current $I_n$	Acc. cl.	Type: SF 74/40								
		Busbar hole 41x12,5 mm (see fig.)								
		Rated burden (VA)								
		1,5	2,5	3,75	5	7,5	10	12,5	15	
500 A	0,2S		+							
	0,5S			+						
600 A	0,2S		+		+					
	0,5S			+	+					
750 A	0,2S				+					
	0,5S				+	+				
800 A	0,2S				+	+				
	0,5S				+		+		+	
1000 A	0,2S				+		+			
	0,5S				+		+	+	+	

\* Ni-Fe + Si-Fe

### Order specification:

- Ring-type current transformer
- Class of accuracy: 0,5S
- Rated primary current: 500 A.
- Rated secondary current: 5 A.
- Rated burden: 3,75 VA
- Busbar dimension: 40x12,5 mm

SF 74/40	500/5 A	Cl. 0,5S	3,75VA
----------	---------	----------	--------



Weight: 400...500gr

# CURRENT TRANSFORMERS

## SF 74/50

For currents from 250 A to 1000 A.  
 Type: ring / busbar  
 Standards: acc. to BS 3938, EN 60044-1

### Technical data:

**Class of accuracy:** 0.2S ... 0.5S (see table).  
**Rated burden:** max. 15 VA (see table).  
**Rated voltage:** 720 V.  
**Rated frequency:** 50-60 Hz.  
**Rated sec. current:** 5 A.  
**Security factor:** FS 5 FS10  
**Working temperature range:** -20 ... +45°C.  
**High voltage test:** 4 kV<sub>eff</sub>, 50 Hz, 1 min.  
**Insulation class:** E (max. 120°C)  
**Protection:** IP 00.  
**Case:** non-flammable plastic, UL 94 V-0



Rated primary current $I_n$	Acc. class	Type: SF 74/50								
		Max. busbar hole 51x12,5 mm (see fig)								
		Rated Burden [VA]								
		1	1.5	2.5	3.75	5	7.5	10	12.5	15
250 A	0,2S		*							
	0,5S		*							
300 A	0,2S		*							
	0,5S	+	*	*						
400 A	0,2S	+	*							
	0,5S			+						
500 A	0,2S			+						
	0,5S				+					
600 A	0,2S			+		+				
	0,5S				+	+				
750 A	0,2S					+				
	0,5S				+	+	+			
800 A	0,2S					+				
	0,5S					+		+		
1000 A	0,2S					+				
	0,5S					+		+		+

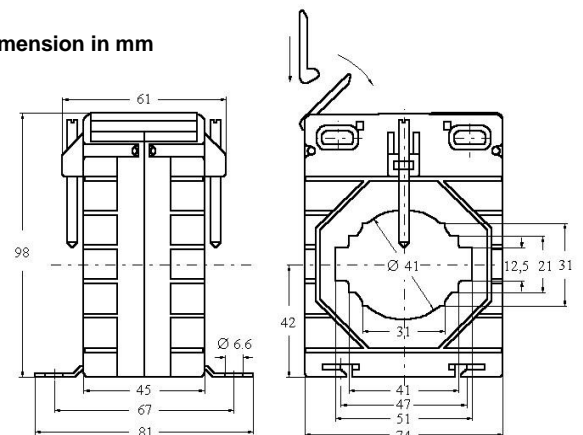
\* Ni-Fe + Si-Fe

### Order specification:

- Ring-type current transformer
- Class of accuracy: 0,5S
- Rated primary current: 400 A.
- Rated secondary current: 5 A.
- Rated burden: 2,5 VA
- Busbar dimension 50x12,5 mm or Ø41

**SF 74/50 400/5 A Cl. 0,5S 2,5VA**

Dimension in mm



Weight: 350...450gr

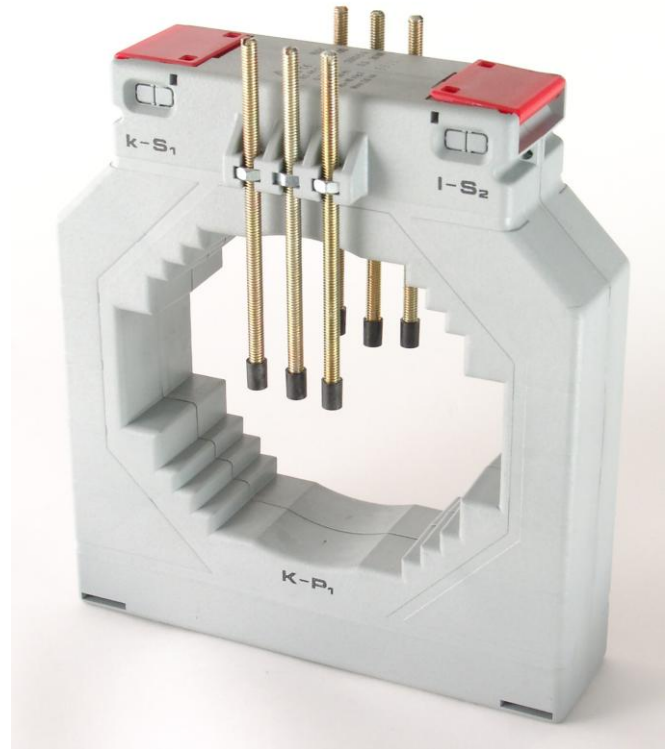
# CURRENT TRANSFORMERS

## SF 140/100

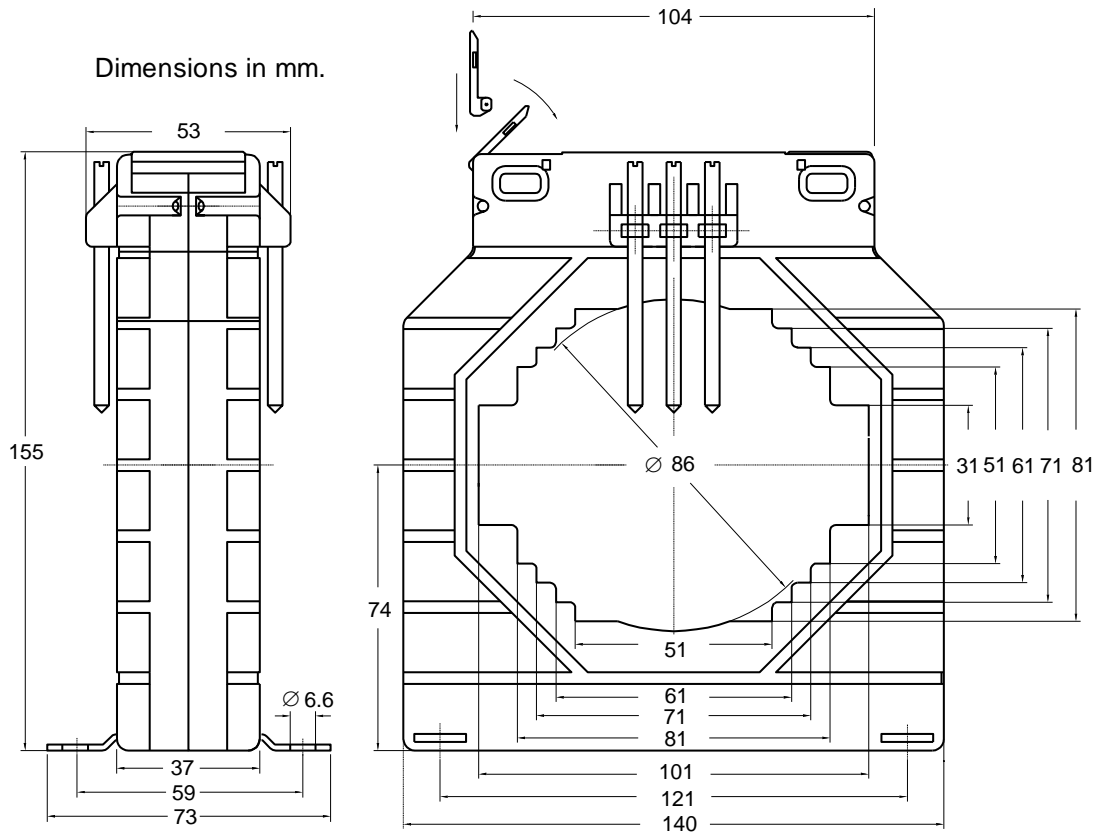
For currents from 500 A to 3000 A  
 Type: ring / busbar  
 Standards: acc. to BS 3938, EN 60044-1

### Technical data:

**Class of accuracy:** 0,2S ... 0,5S (see table).  
**Rated burden:** max. 20 VA (see table).  
**Rated voltage:** 720 V.  
**Rated frequency:** 50-60 Hz.  
**Rated sec. current:** 5 A.  
**Security factor:** FS 5 FS10  
**Working temperature range:** -20 ... +45°C.  
**High voltage test:** 4 kV<sub>eff</sub>, 50 Hz, 1 min.  
**Insulation class:** E (max. 120°C)  
**Protection:** IP 00.  
**Case:** non-flammable plastic, UL 94 V-0.



Outline drawing of SF 140/100



Weight: 900...1100gr

Different types of MAK140/100 current transformers see table on next page

# CURRENT TRANSFORMERS

Table with different types of SF 140/100 current transformers.

Rated primary current	Acc. class	Type: SF 140/100								
		Max. busbar hole dimension: 101x31 mm or $\varnothing$ 86 mm (see outline drawing)								
		Rated burden (VA)								
$I_n$		1.5	2.5	3.75	5	7.5	10	12.5	15	20
400 A	0,2S									
	0,5S		+							
500 A	0,2S		+							
	0,5S			+						
600 A	0,2S			+						
	0,5S			+	+					
750 A	0,2S				+					
	0,5S				+					
800 A	0,2S				+					
	0,5S				+					
1000 A	0,2S				+		+			
	0,5S				+		+			
1200 A	0,2S				+		+			
	0,5S				+		+		+	
1250 A	0,2S				+		+			
	0,5S				+		+		+	
1500 A	0,2S				+		+			
	0,5S				+		+		+	
1600 A	0,2S				+		+			
	0,5S				+		+		+	
2000 A	0,2S				+		+			
	0,5S				+		+		+	
2500 A	0,2S				+		+			
	0,5S				+		+		+	+
3000 A	0,2S				+		+			
	0,5S				+		+		+	+

+ Si-Fe

**Order specification:**

- Ring-type current transformer.
- Class of accuracy: 0.5S
- Rated primary current: 2500 A.
- Rated secondary current: 5 A.
- Rated burden: 20 VA
- Busbar dimension: 2x100x10 mm or  $\varnothing$  86 mm

SF 140/100	2500/5 A	Cl. 0,5S	20VA
------------	----------	----------	------